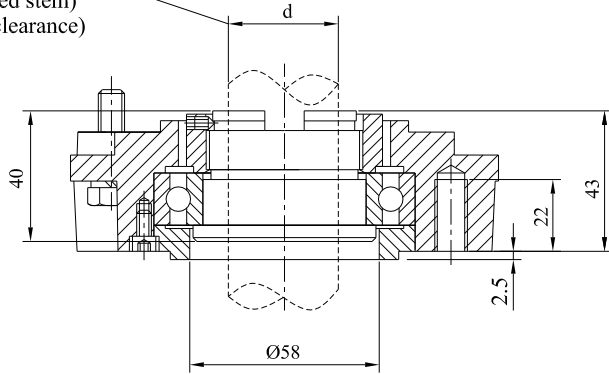


GREATORK AVA and AVAM Series drive couplings

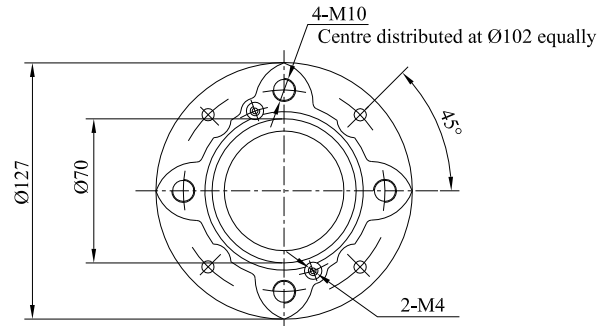
AVA01/02/03 and AVAM01/02/03 COUPLING

"d" is the max diameter of the axes **Type A**

- d=26 (Keyed shaft)
- d=32 (threaded stem)
- d=33 (shaft clearance)



F10 A base

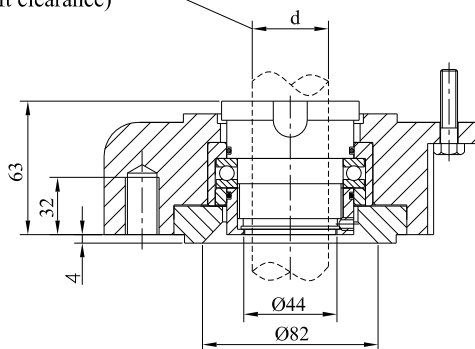


AVA04/05 and AVAM04/05 COUPLING

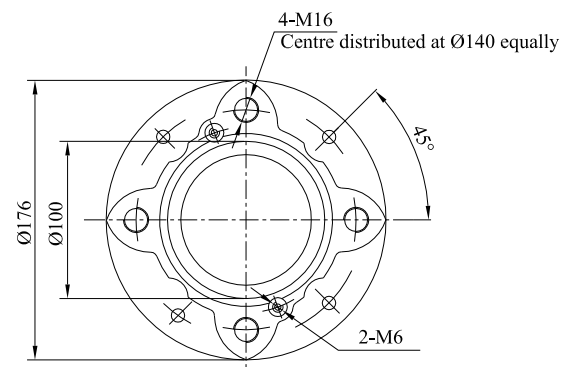
"d" is the max diameter of the axes

- d=32 (Keyed shaft)
- d=38 (threaded stem)
- d=52 (shaft clearance)

Type A



F14 A base

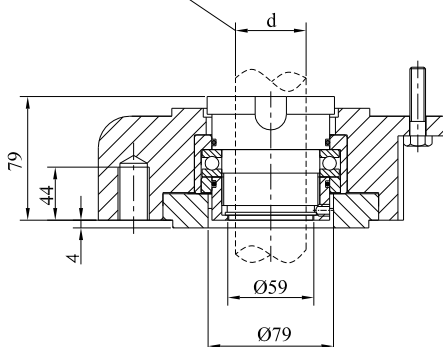


AVA06 and AVAM06 COUPLING

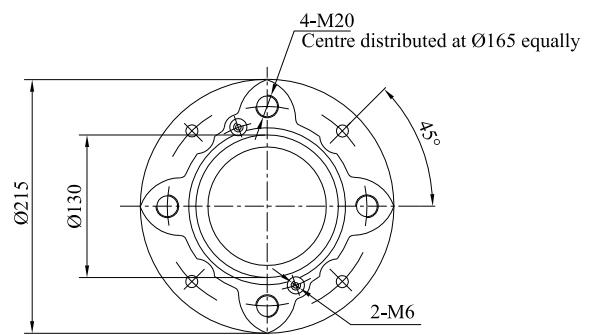
"d" is the max diameter of the axes

- d=45 (Keyed shaft)
- d=54 (threaded stem)
- d=69 (shaft clearance)

Type A



F16 A base

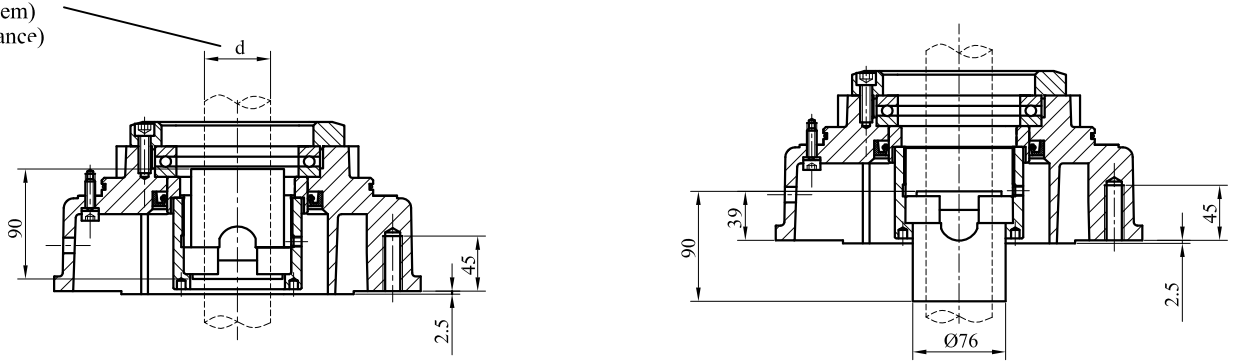


GREATORK AVA range actuator drive couplings

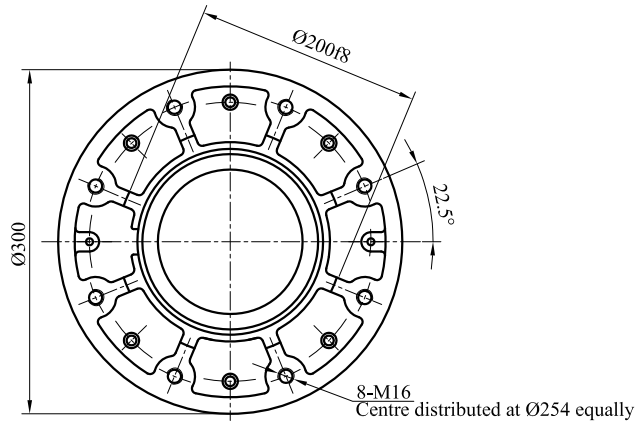
AVA07 COUPLING

Type A

"d" is the max diameter of the axes
 d=51 (keyed shaft)
 d=64 (threaded stem)
 d=77 (shaft clearance)



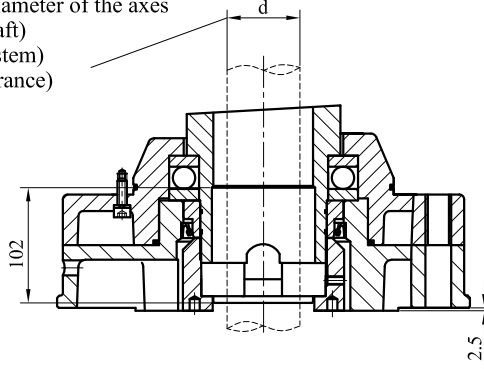
F25 A base



AVA08/09/09.1/10 COUPLING

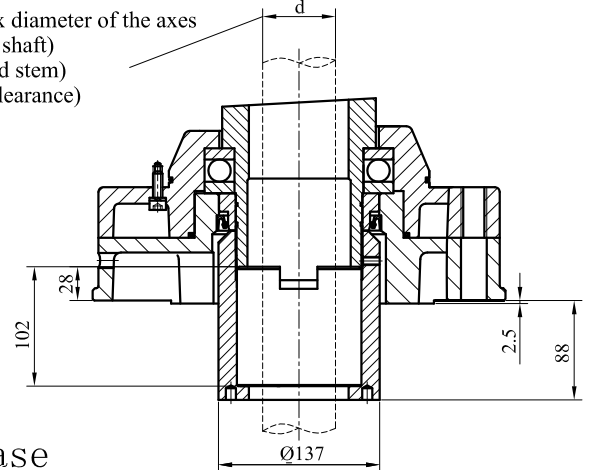
Type A

"d" is the max diameter of the axes
 d=57 (Keyed shaft)
 d=70 (threaded stem)
 d=85 (shaft clearance)



Type Z3

"d" is the max diameter of the axes
 d=73 (Keyed shaft)
 d=83 (threaded stem)
 d=85 (shaft clearance)



F30 A/Z3 base

