

Bray®

RESILIENT SEATED BUTTERFLY VALVE
SALES REFERENCE DRAWINGS

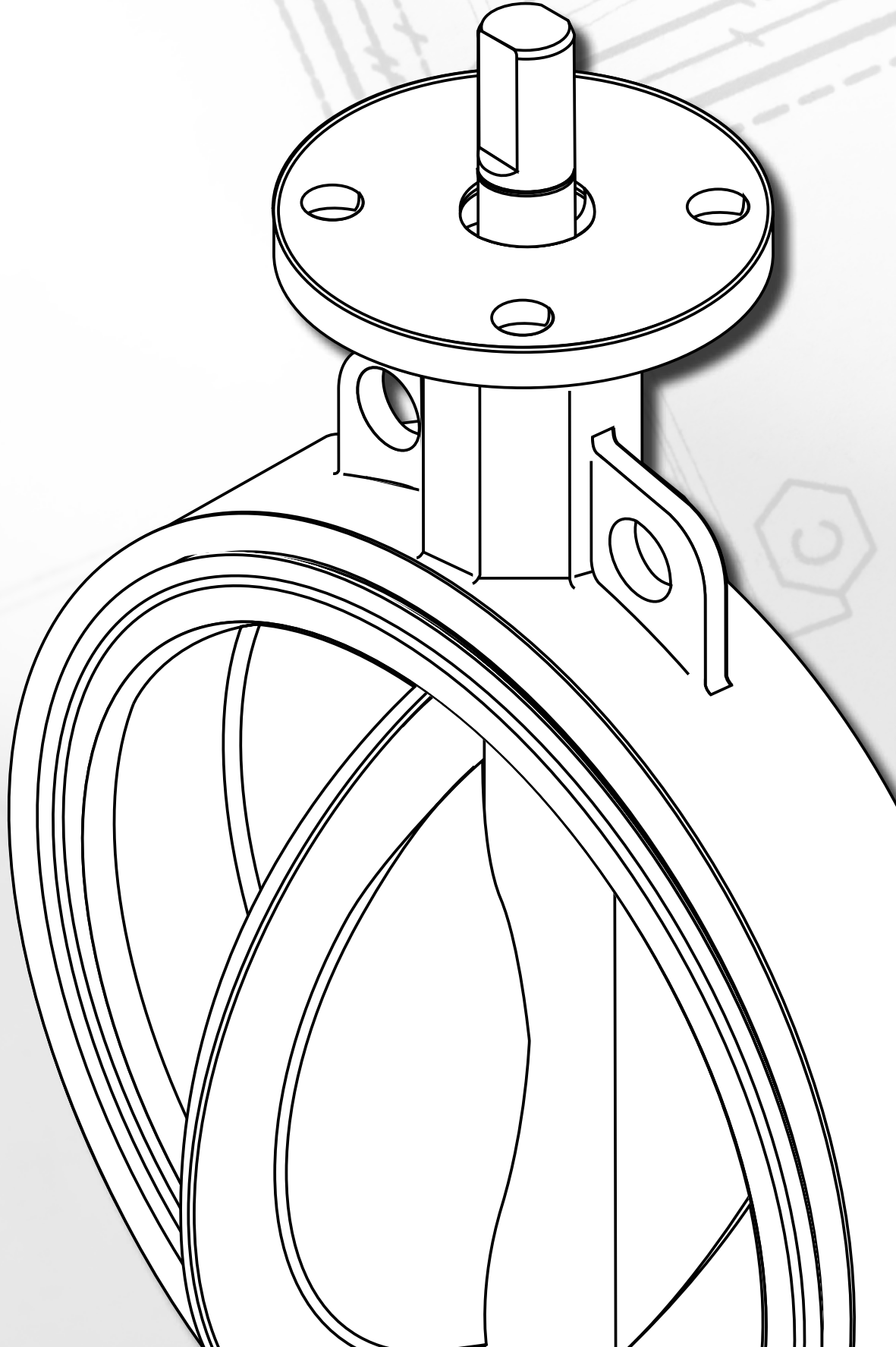
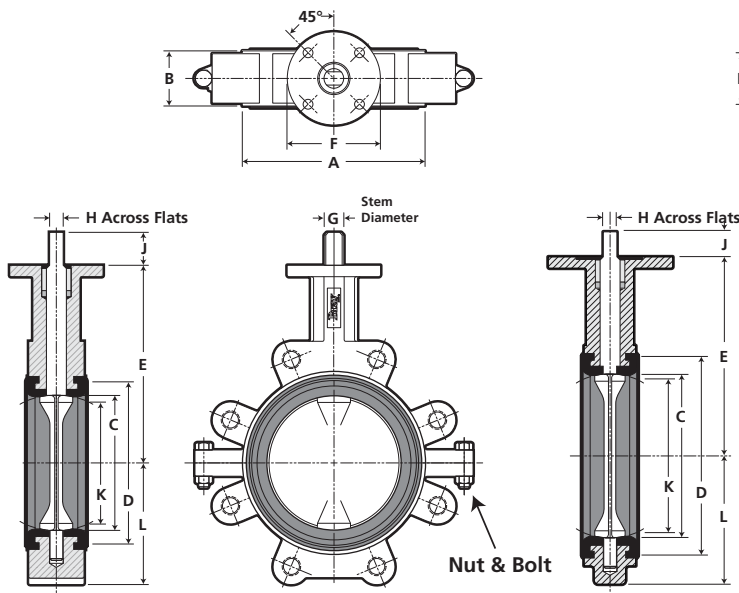


TABLE OF CONTENTS

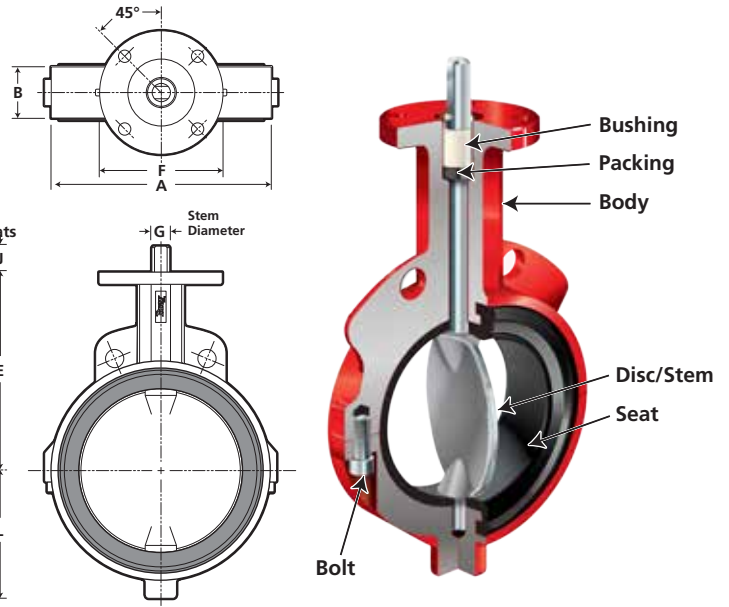
| | |
|---|----|
| Series 20/21 (1" -12" / 25mm-300mm) | 2 |
| Series 20/21 (14" -20" / 350mm-500mm) | 3 |
| Series 22/23 (2" -12" / 50mm-300mm) | 4 |
| Series 22/23 (14" -20" / 350mm-500mm) | 5 |
| Series 30/31 (2" -12" / 50mm-300mm) | 6 |
| Series 30/31 (14" -20" / 350mm-500mm) | 7 |
| Series 32/33 (22" -36" / 550mm-900mm) | 8 |
| Series 3A & 3AH (2" -12" / 50mm-300mm)..... | 9 |
| Series 3A & 3AH (14" -20" / 350mm-500mm)..... | 10 |
| Series 31H (2" -12" / 50mm-300mm)..... | 11 |
| Series 31H (14" -20" / 350mm-500mm)..... | 12 |
| Series 35/36 (22" -96") Imperial..... | 13 |
| Series 35/36 (550mm-2400mm) Metric..... | 14 |
| Series 35F (22" -36" / 550mm-900mm)..... | 15 |



Series 21 Lug



Series 20 Wafer



| IMPERIAL DIMENSIONS: Inches | | | | | | | | | | | | | | | | | | | Lug Bolting Data | | |
|-----------------------------|-------|------|-------|-------|-------|------|--------------------|-------------|---------------|------|-----|------|-------|-------|------|--------------|---------------|-------|------------------|-------------|--------------------|
| Valve Size | A | B | C | D | E | F | Top Plate Drilling | | | G | H | J | K | L | | Adapter Code | Weight (lbs.) | | Bolt Circle | No of Holes | Threads ISO Coarse |
| | | | | | | | BC | No of Holes | Hole Diameter | | | | | Wafer | Lug | | Wafer | Lug | | | |
| 1 | 2.36 | 1.18 | 1.25 | 1.73 | 3.54 | 2.56 | 1.97 | 4 | .28 | .39 | .32 | 1.00 | .44 | 1.65 | 1.65 | AA | 2.0 | 3.0 | 3.12 | 4 | 1/2-13 |
| 1 1/2 | 3.16 | 1.26 | 1.84 | 2.53 | 4.12 | 2.56 | 1.97 | 4 | .28 | .39 | .32 | 1.00 | 1.35 | 2.15 | 2.15 | AA | 3.0 | 4.5 | 3.88 | 4 | 1/2-13 |
| 2 | 3.69 | 1.62 | 2.00 | 2.84 | 5.50 | 3.54 | 2.76 | 4 | .39 | .55 | .39 | 1.25 | 1.32 | 2.22 | 2.30 | A | 5.5 | 7.0 | 4.75 | 4 | 5/8-11 |
| 2 1/2 | 4.19 | 1.75 | 2.50 | 3.34 | 6.00 | 3.54 | 2.76 | 4 | .39 | .55 | .39 | 1.25 | 1.91 | 2.47 | 2.57 | A | 6.5 | 9.0 | 5.50 | 4 | 5/8-11 |
| 3 | 4.88 | 1.75 | 3.00 | 4.03 | 6.25 | 3.54 | 2.76 | 4 | .39 | .55 | .39 | 1.25 | 2.55 | 2.81 | 2.81 | A | 7.0 | 9.5 | 6.00 | 4 | 5/8-11 |
| 4 | 6.06 | 2.00 | 4.00 | 5.16 | 7.00 | 3.54 | 2.76 | 4 | .39 | .63 | .43 | 1.25 | 3.57 | 3.56 | 4.09 | B | 11.0 | 16.0 | 7.50 | 8 | 5/8-11 |
| 5 | 7.12 | 2.12 | 5.00 | 6.16 | 7.50 | 3.54 | 2.76 | 4 | .39 | .75 | .51 | 1.25 | 4.63 | 4.28 | 4.61 | C | 14.0 | 22.0 | 8.50 | 8 | 3/4-10 |
| 6 | 8.12 | 2.12 | 5.75 | 7.02 | 8.00 | 3.54 | 2.76 | 4 | .39 | .75 | .51 | 1.25 | 5.45 | 4.78 | 5.08 | C | 17.0 | 25.0 | 9.50 | 8 | 3/4-10 |
| 8 | 10.50 | 2.50 | 7.75 | 9.47 | 9.50 | 5.91 | 4.92 | 4 | .57 | .87 | .63 | 1.25 | 7.45 | 6.03 | 6.12 | D | 32.0 | 45.0 | 11.75 | 8 | 3/4-10 |
| 10 | 12.75 | 2.50 | 9.75 | 11.47 | 10.75 | 5.91 | 4.92 | 4 | .57 | 1.18 | .87 | 2.00 | 9.53 | 7.41 | 7.69 | E | 47.0 | 66.0 | 14.25 | 12 | 7/8-9 |
| 12 | 14.88 | 3.00 | 11.75 | 13.47 | 12.25 | 5.91 | 4.92 | 4 | .57 | 1.18 | .87 | 2.00 | 11.47 | 8.41 | 9.02 | E | 68.0 | 102.0 | 17.00 | 12 | 7/8-9 |

Note: K dimension is disc chordal dimension at valve face.

| METRIC DIMENSIONS: Millimeters | | | | | | | | | | | | | | | | | | | Lug Bolting Data | | |
|--------------------------------|-----|----|-----|-----|-----|-----|--------------------|-------------|---------------|----|----|----|-----|-------|-----|--------------|-------------|------|------------------|-------------|--------------------|
| Valve Size | A | B | C | D | E | F | Top Plate Drilling | | | G | H | J | K | L | | Adapter Code | Weight (Kg) | | Bolt Circle | No of Holes | Threads ISO Coarse |
| | | | | | | | BC | No of Holes | Hole Diameter | | | | | Wafer | Lug | | Wafer | Lug | | | |
| 25 | 60 | 30 | 32 | 44 | 90 | 65 | 50 | 4 | 7 | 10 | 8 | 25 | 11 | 42 | 42 | AA | 0.9 | 1.4 | 85 | 4 | M12 |
| 40 | 80 | 33 | 47 | 64 | 105 | 65 | 50 | 4 | 7 | 10 | 8 | 25 | 35 | 55 | 55 | AA | 1.3 | 2.0 | 110 | 4 | M12 |
| 50 | 94 | 43 | 51 | 72 | 140 | 90 | 70 | 4 | 10 | 14 | 10 | 32 | 31 | 56 | 56 | A | 2.5 | 3.2 | 125 | 4 | M16 |
| 65 | 106 | 46 | 64 | 85 | 152 | 90 | 70 | 4 | 10 | 14 | 10 | 32 | 47 | 63 | 63 | A | 2.9 | 4.1 | 145 | 4 | M16 |
| 80 | 124 | 46 | 76 | 102 | 159 | 90 | 70 | 4 | 10 | 14 | 10 | 32 | 63 | 71 | 71 | A | 3.2 | 4.3 | 160 | 8 | M16 |
| 100 | 154 | 52 | 102 | 131 | 178 | 90 | 70 | 4 | 10 | 16 | 11 | 32 | 90 | 90 | 90 | B | 5 | 7.2 | 180 | 8 | M16 |
| 125 | 181 | 56 | 127 | 156 | 190 | 90 | 70 | 4 | 10 | 19 | 13 | 32 | 116 | 109 | 109 | C | 6.4 | 10 | 210 | 8 | M20 |
| 150 | 206 | 56 | 146 | 178 | 203 | 90 | 70 | 4 | 10 | 19 | 13 | 32 | 137 | 121 | 121 | C | 7.7 | 11.3 | 240 | 8 | M20 |
| 200 | 267 | 60 | 197 | 240 | 241 | 150 | 125 | 4 | 14 | 22 | 16 | 32 | 190 | 153 | 153 | D | 14.5 | 20.4 | 295 | 8 | M20 |
| 250 | 324 | 68 | 248 | 291 | 273 | 150 | 125 | 4 | 14 | 30 | 22 | 51 | 240 | 188 | 188 | E | 21.3 | 30 | 355 | 12 | M22 |
| 300 | 378 | 78 | 298 | 342 | 311 | 150 | 125 | 4 | 14 | 30 | 22 | 51 | 290 | 214 | 214 | E | 30.8 | 46.3 | 410 | 12 | M22 |

Note: K dimension is disc chordal dimension at valve face.

Drawings are for reference only. Please refer to Bray ES drawings on the Bray website, www.bray.com. Bray reserves the right to change product dimensions without notice.

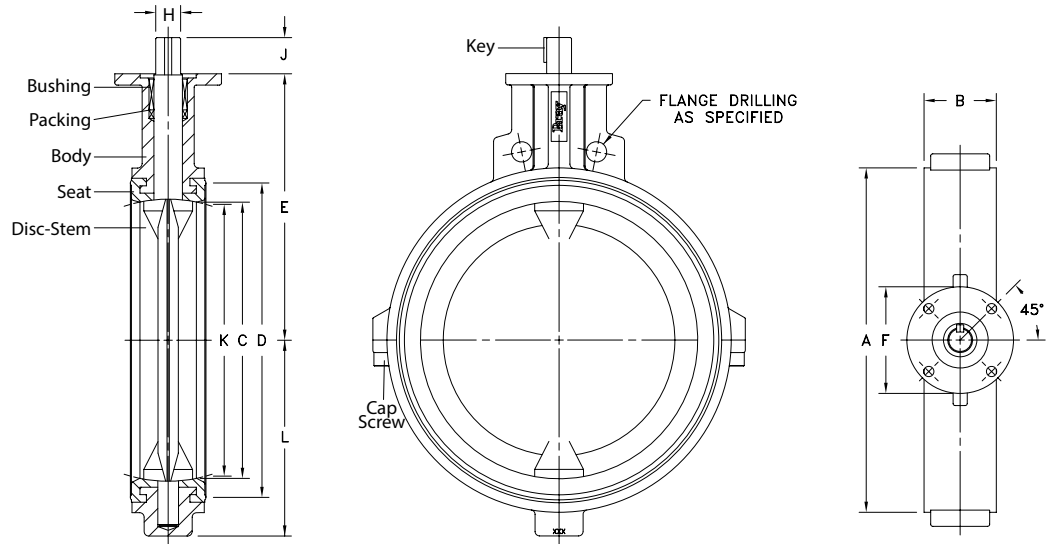
SR Drawing #20/21-1/12-in January - 2015

Inquire/P.O. No.: _____

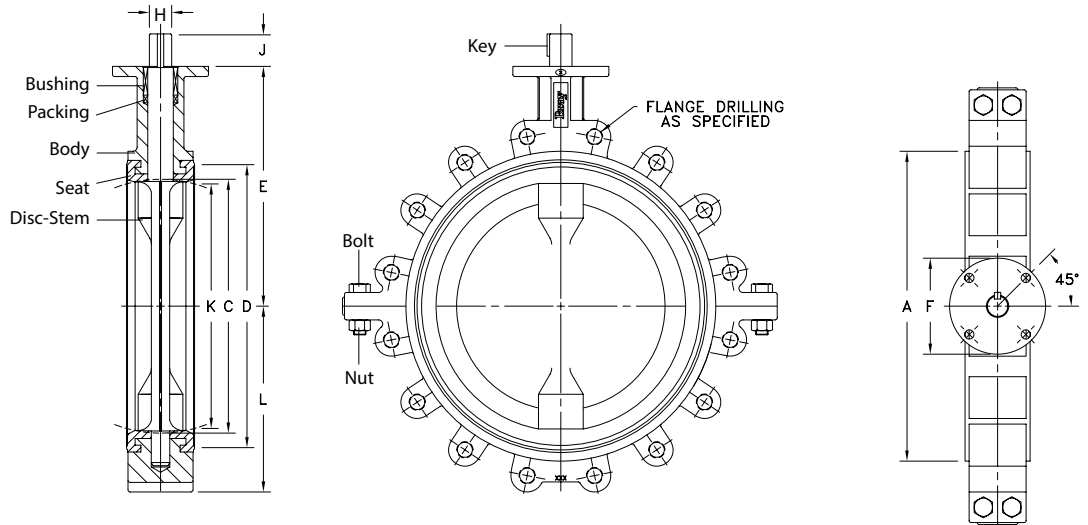
Customer/Project: _____

Bray Order No.: _____

Series 20 Wafer



Series 21 Lug



| IMPERIAL DIMENSIONS: Inches | | | | | | | | | | | | | | | | | Lug Bolting Data | | | | |
|-----------------------------|-------|------|-------|-------|-------|------|--------------------|-------------|---------------|------|------|----------|-------|-------|-------|--------------|------------------|-----|-------------|-------------|--------------------|
| Valve Size | A | B | C | D | E | F | Top Plate Drilling | | | H | J | Key Size | K | L | | Adapter Code | Weight (lbs.) | | Bolt Circle | No of Holes | Threads ISO Coarse |
| | | | | | | | BC | No of Holes | Hole Diameter | | | | | Wafer | Lug | | Wafer | Lug | | | |
| 14 | 17.05 | 3.00 | 13.25 | 15.28 | 13.62 | 5.91 | 4.92 | 4 | .57 | 1.38 | 2.00 | .39x.39 | 13.04 | 9.61 | 9.93 | F | 96.5 | 120 | 18.75 | 12 | 1.00-8 |
| 16 | 19.21 | 4.00 | 15.25 | 17.41 | 14.75 | 5.91 | 4.92 | 4 | .57 | 1.38 | 2.00 | .39x.39 | 14.85 | 11.52 | 11.51 | F | 134 | 172 | 21.25 | 16 | 1.00-8 |
| 18 | 21.12 | 4.25 | 17.25 | 19.47 | 16.00 | 8.27 | 6.50 | 4 | .81 | 1.97 | 2.50 | .47x.39 | 16.85 | 13.44 | 13.44 | G | 203 | 236 | 22.75 | 16 | 1.12-7 |
| 20 | 23.25 | 5.00 | 19.25 | 21.59 | 17.25 | 8.27 | 6.50 | 4 | .81 | 1.97 | 2.50 | .47x.39 | 18.73 | 14.46 | 14.46 | G | 264 | 312 | 25.00 | 20 | 1.12-7 |

Note: K dimension is disc chordal dimension at valve face.

| METRIC DIMENSIONS: Millimeters | | | | | | | | | | | | | | | | | Lug Bolting Data | | | | |
|--------------------------------|-----|-----|-----|-----|-----|-----|--------------------|-------------|---------------|----|----|----------|-----|-------|-----|--------------|------------------|-----|-------------|-------------|--------------------|
| Valve Size | A | B | C | D | E | F | Top Plate Drilling | | | H | J | Key Size | K | L | | Adapter Code | Weight (Kg) | | Bolt Circle | No of Holes | Threads ISO Coarse |
| | | | | | | | BC | No of Holes | Hole Diameter | | | | | Wafer | Lug | | Wafer | Lug | | | |
| 350 | 433 | 76 | 336 | 388 | 346 | 150 | 125 | 4 | 14 | 35 | 51 | 10x10 | 331 | 244 | 252 | F | 44 | 44 | 460 | 12 | M24 |
| 400 | 488 | 102 | 387 | 442 | 375 | 150 | 125 | 4 | 14 | 35 | 51 | 10x10 | 377 | 293 | 292 | F | 61 | 61 | 515 | 16 | M24 |
| 450 | 536 | 108 | 438 | 494 | 406 | 210 | 165 | 4 | 20 | 50 | 64 | 12x10 | 428 | 341 | 341 | G | 92 | 92 | 565 | 16 | M30 |
| 500 | 590 | 127 | 489 | 548 | 438 | 210 | 165 | 4 | 20 | 50 | 64 | 12x10 | 476 | 367 | 367 | G | 120 | 120 | 620 | 20 | M30 |

Note: K dimension is disc chordal dimension at valve face.

Drawings are for reference only. Please refer to Bray ES drawings on the Bray website, www.bray.com. Bray reserves the right to change product dimensions without notice.

SR Drawing #20/21-14/20-in January - 2015

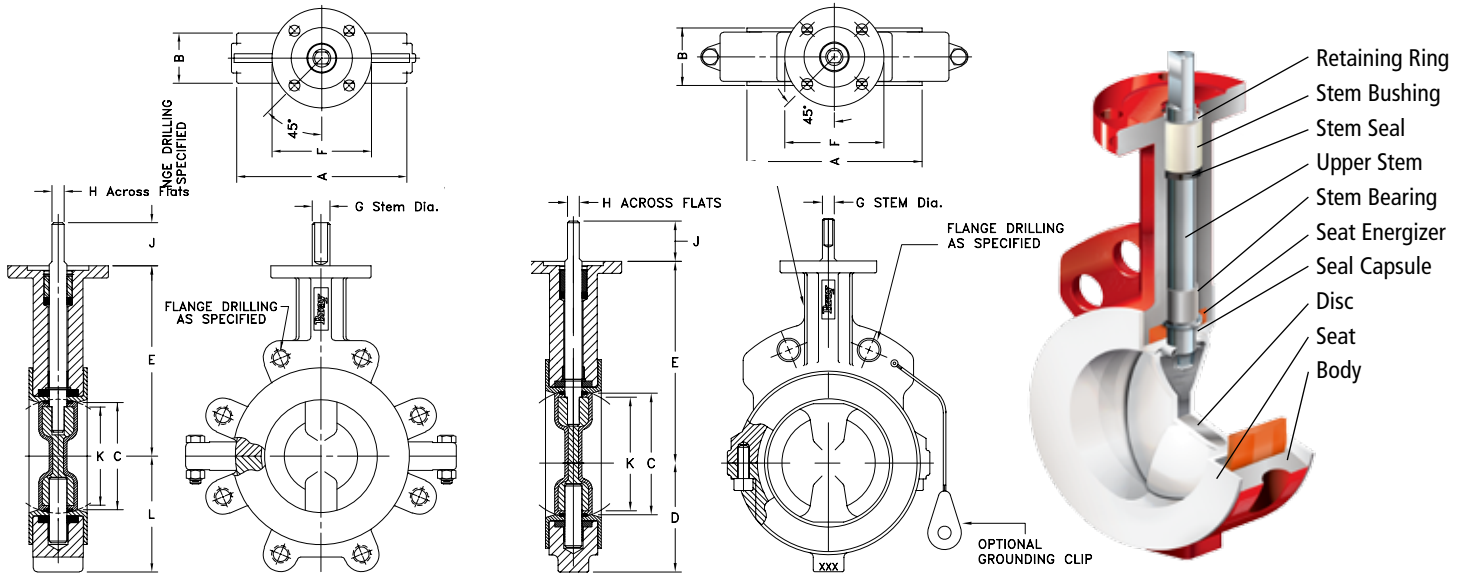
Inquire/P.O. No.: _____

Customer/Project: _____

Bray Order No.: _____

Series 23 Lug

Series 22 Wafer



| IMPERIAL DIMENSIONS: Inches | | | | | | | | | | | | | | | | | Lug Bolting Data | | | |
|-----------------------------|-------|------|-------|-------|------|--------------------|-------------|---------------|------|-----|------|-------|-------|------|--------------|---------------|------------------|-------------|-------------|--------------------|
| Valve Size | A | B | C | E | F | Top Plate Drilling | | | G | H | J | K | L | | Adapter Code | Weight (lbs.) | | Bolt Circle | No of Holes | Threads ISO Coarse |
| | | | | | | BC | No of Holes | Hole Diameter | | | | | Wafer | Lug | | Wafer | Lug | | | |
| 2 | 3.88 | 1.69 | 2.00 | 5.50 | 3.54 | 2.76 | 4 | .39 | .55 | .39 | 1.25 | 1.13 | 2.22 | 2.30 | A | 6.5 | 8.0 | 4.75 | 4 | 5/8-11 |
| 2 1/2 | 4.38 | 1.81 | 2.50 | 6.00 | 3.54 | 2.76 | 4 | .39 | .55 | .39 | 1.25 | 1.77 | 2.47 | 2.57 | A | 7.5 | 10.0 | 5.50 | 4 | 5/8-11 |
| 3 | 5.00 | 1.81 | 3.00 | 6.25 | 3.54 | 2.76 | 4 | .39 | .55 | .39 | 1.25 | 2.44 | 2.81 | 2.81 | A | 8.5 | 11.0 | 6.00 | 4 | 5/8-11 |
| 4 | 6.25 | 2.05 | 4.00 | 7.00 | 3.54 | 2.76 | 4 | .39 | .63 | .43 | 1.25 | 3.48 | 3.56 | 4.09 | B | 13.5 | 17.5 | 7.50 | 8 | 5/8-11 |
| 5 | 7.38 | 2.20 | 5.00 | 7.50 | 3.54 | 2.76 | 4 | .39 | .75 | .51 | 1.25 | 4.53 | 4.28 | 4.61 | C | 16.0 | 21.0 | 8.50 | 8 | 3/4-10 |
| 6 | 8.50 | 2.20 | 5.75 | 8.00 | 3.54 | 2.76 | 4 | .39 | .75 | .51 | 1.25 | 5.35 | 4.78 | 5.06 | C | 20.5 | 28.5 | 9.50 | 8 | 3/4-10 |
| 8 | 10.62 | 2.36 | 7.75 | 9.50 | 5.91 | 4.92 | 4 | .57 | .87 | .63 | 1.25 | 7.43 | 6.03 | 6.05 | D | 38.5 | 51.5 | 11.75 | 8 | 3/4-10 |
| 10 | 12.75 | 2.68 | 9.75 | 10.75 | 5.91 | 4.92 | 4 | .57 | 1.18 | .87 | 2.00 | 9.42 | 7.41 | 7.69 | E | 62.0 | 76.0 | 14.25 | 12 | 7/8-9 |
| 12 | 14.88 | 3.07 | 11.75 | 12.25 | 5.91 | 4.92 | 4 | .57 | 1.18 | .87 | 2.00 | 11.39 | 8.41 | 9.02 | E | 76.0 | 116.0 | 17.00 | 12 | 7/8-9 |

Note: K dimension is disc chordal dimension at valve face.

| METRIC DIMENSIONS: Millimeters | | | | | | | | | | | | | | | | | Lug Bolting Data | | | |
|--------------------------------|-----|----|-----|-----|-----|--------------------|-------------|---------------|----|----|----|-----|-------|-----|--------------|-------------|------------------|-------------|-------------|--------------------|
| Valve Size | A | B | C | E | F | Top Plate Drilling | | | G | H | J | K | L | | Adapter Code | Weight (Kg) | | Bolt Circle | No of Holes | Threads ISO Coarse |
| | | | | | | BC | No of Holes | Hole Diameter | | | | | Wafer | Lug | | Wafer | Lug | | | |
| 50 | 98 | 43 | 51 | 140 | 90 | 70 | 4 | 10 | 14 | 10 | 32 | 29 | 56 | 58 | A | 3 | 3.5 | 121 | 4 | 5/8-11 |
| 65 | 111 | 46 | 64 | 152 | 90 | 70 | 4 | 10 | 14 | 10 | 32 | 45 | 63 | 63 | A | 3.5 | 4.5 | 140 | 4 | 5/8-11 |
| 80 | 127 | 46 | 76 | 159 | 90 | 70 | 4 | 10 | 14 | 10 | 32 | 62 | 71 | 71 | A | 4 | 5 | 152 | 4 | 5/8-11 |
| 100 | 159 | 52 | 102 | 178 | 90 | 70 | 4 | 10 | 16 | 11 | 32 | 88 | 90 | 104 | B | 6 | 8 | 191 | 8 | 5/8-11 |
| 125 | 187 | 56 | 127 | 190 | 90 | 70 | 4 | 10 | 19 | 13 | 32 | 115 | 109 | 117 | C | 7 | 10 | 216 | 8 | 3/4-10 |
| 150 | 216 | 56 | 146 | 203 | 90 | 70 | 4 | 10 | 19 | 13 | 32 | 136 | 121 | 129 | C | 9 | 13 | 241 | 8 | 3/4-10 |
| 200 | 270 | 60 | 197 | 241 | 150 | 125 | 4 | 14 | 22 | 16 | 32 | 189 | 153 | 155 | D | 17 | 23 | 298 | 8 | 3/4-10 |
| 250 | 324 | 68 | 248 | 273 | 150 | 125 | 4 | 14 | 30 | 22 | 51 | 239 | 188 | 195 | E | 28 | 34 | 362 | 12 | 7/8-9 |
| 300 | 378 | 78 | 298 | 311 | 150 | 125 | 4 | 14 | 30 | 22 | 51 | 289 | 214 | 229 | E | 34 | 53 | 432 | 12 | 7/8-9 |

Note: K dimension is disc chordal dimension at valve face.

Drawings are for reference only. Please refer to Bray ES drawings on the Bray website, www.bray.com. Bray reserves the right to change product dimensions without notice.

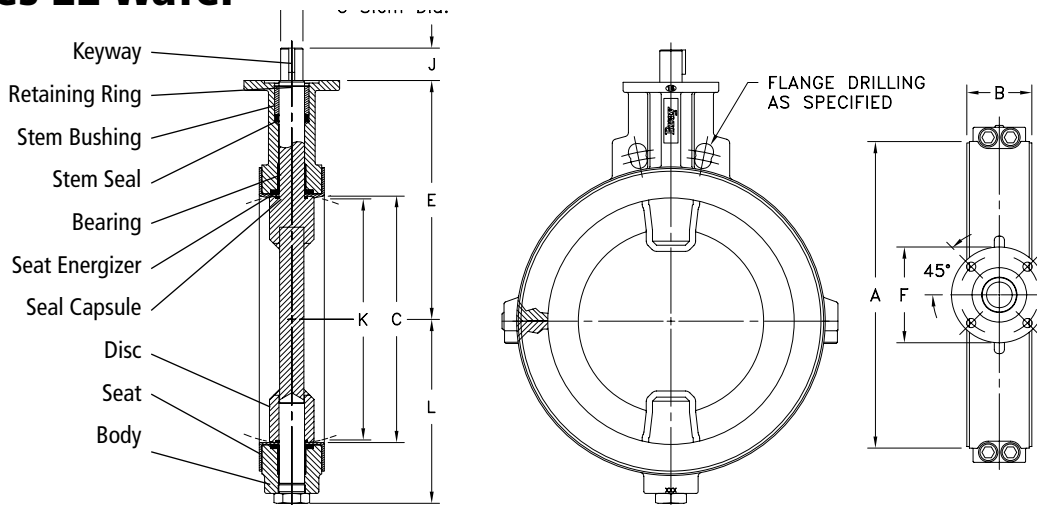
SR Drawing #22/23-2/12-im January - 2015

Inquire/P.O. No.: _____

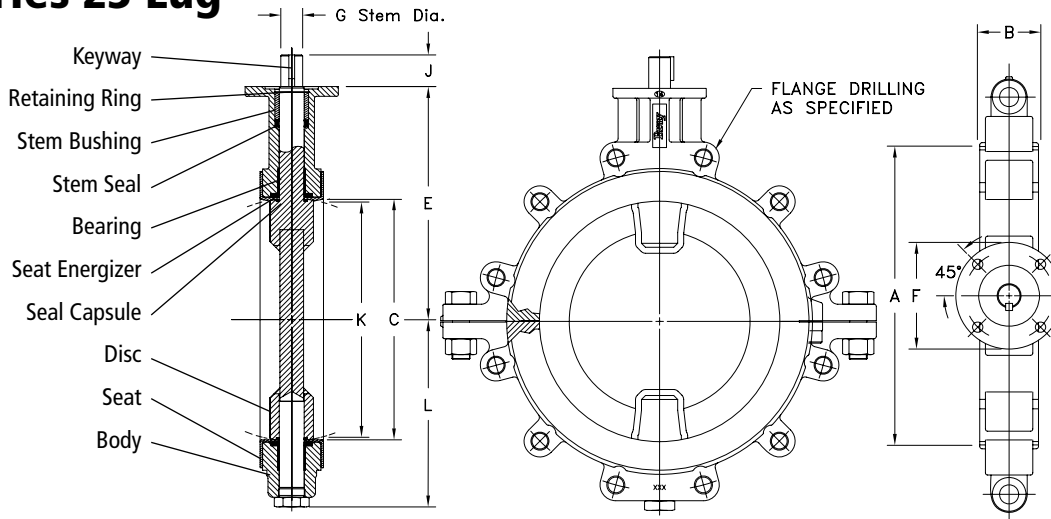
Customer/Project: _____

Bray Order No.: _____

Series 22 Wafer



Series 23 Lug



| IMPERIAL DIMENSIONS: Inches | | | | | | | | | | | | | | Lug Bolting Data | | | | | | |
|-----------------------------|-------|------|-------|-------|------|--------------------|-------------|---------------|------|------|----------|-------|-------|------------------|--------------|---------------|-----|-------------|-------------|--------------------|
| Valve Size | A | B | C | E | F | Top Plate Drilling | | | G | J | Key Size | K | L | | Adapter Code | Weight (lbs.) | | Bolt Circle | No of Holes | Threads ISO Coarse |
| | | | | | | BC | No of Holes | Hole Diameter | | | | | Wafer | Lug | | Wafer | Lug | | | |
| 14 | 17.05 | 3.07 | 13.25 | 13.62 | 5.91 | 4.92 | 4 | .57 | 1.38 | 2.00 | .39x.39 | 13.00 | 10.02 | 10.02 | F | 125 | 148 | 18.75 | 12 | 1.00-8 |
| 16 | 19.21 | 4.02 | 15.25 | 14.75 | 5.91 | 4.92 | 4 | .57 | 1.38 | 2.00 | .39x.39 | 14.75 | 11.99 | 11.99 | F | 180 | 218 | 21.25 | 16 | 1.00-8 |
| 18 | 21.12 | 4.49 | 17.25 | 16.00 | 8.27 | 6.50 | 4 | .81 | 1.97 | 2.50 | .39x.47 | 16.65 | 13.94 | 13.94 | G | 240 | 273 | 22.75 | 16 | 1.13-7 |
| 20 | 23.25 | 5.00 | 19.25 | 17.25 | 8.27 | 6.50 | 4 | .81 | 1.97 | 2.50 | .39x.47 | 18.73 | 14.94 | 14.94 | G | 320 | 368 | 25.00 | 20 | 1.13-7 |

Note: K dimension is disc chordal dimension at valve face.

| METRIC DIMENSIONS: Millimeters | | | | | | | | | | | | | | Lug Bolting Data | | | | | | |
|--------------------------------|-----|-----|-----|-----|-----|--------------------|-------------|---------------|----|----|----------|-----|-------|------------------|--------------|-------------|-----|-------------|-------------|--------------------|
| Valve Size | A | B | C | E | F | Top Plate Drilling | | | G | J | Key Size | K | L | | Adapter Code | Weight (Kg) | | Bolt Circle | No of Holes | Threads ISO Coarse |
| | | | | | | BC | No of Holes | Hole Diameter | | | | | Wafer | Lug | | Wafer | Lug | | | |
| 350 | 433 | 78 | 337 | 346 | 150 | 125 | 4 | 14 | 35 | 51 | 10x10 | 330 | 255 | 255 | F | 57 | 67 | 476 | 12 | 1.00-8 |
| 400 | 488 | 102 | 387 | 375 | 150 | 125 | 4 | 14 | 35 | 51 | 10x10 | 375 | 305 | 305 | F | 82 | 99 | 540 | 16 | 1.00-8 |
| 450 | 536 | 114 | 438 | 406 | 210 | 165 | 4 | 21 | 50 | 64 | 10x12 | 423 | 354 | 354 | G | 109 | 124 | 578 | 16 | 1.13-7 |
| 500 | 591 | 127 | 489 | 438 | 210 | 165 | 4 | 21 | 50 | 64 | 10x12 | 476 | 379 | 379 | G | 145 | 167 | 635 | 20 | 1.13-7 |

Note: K dimension is disc chordal dimension at valve face.

Drawings are for reference only. Please refer to Bray ES drawings on the Bray website, www.bray.com. Bray reserves the right to change product dimensions without notice.

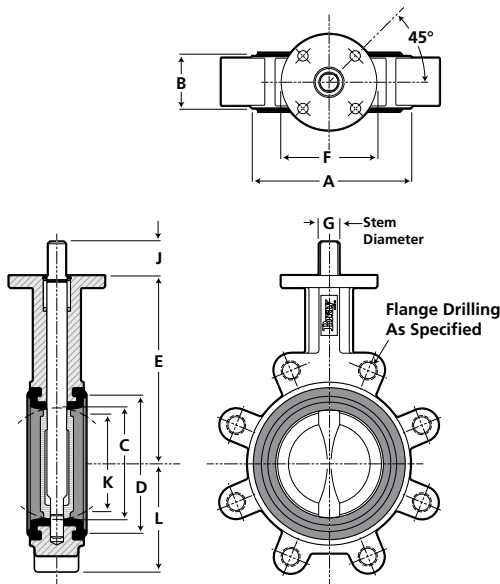
SR Drawing #22/23-14/20-im January - 2015

Inquire/P.O. No.: _____

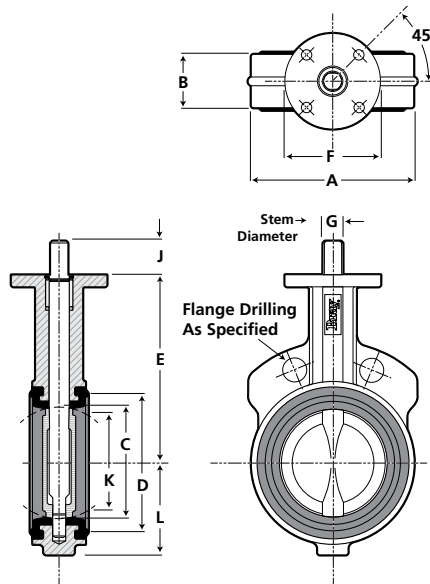
Customer/Project: _____

Bray Order No.: _____

Series 31 Lug



Series 30 Wafer



| IMPERIAL DIMENSIONS: Inches | | | | | | | | | | | | | | | | | Lug Bolting Data | | | | |
|-----------------------------|-------|------|-------|-------|-------|------|--------------------|-------------|---------------|------|-----|------|-------|-------|------|--------------|------------------|------|-------------|-------------|--------------------|
| Valve Size | A | B | C | D | E | F | Top Plate Drilling | | | G | H | J | K | L | | Adapter Code | Weight (lbs.) | | Bolt Circle | No of Holes | Threads ISO Coarse |
| | | | | | | | BC | No of Holes | Hole Diameter | | | | | Wafer | Lug | | Wafer | Lug | | | |
| 2 | 3.69 | 1.62 | 2.00 | 2.85 | 5.50 | 3.54 | 2.76 | 4 | .39 | .55 | .39 | 1.25 | 1.32 | 2.22 | 2.30 | A | 5.5 | 7.0 | 4.75 | 4 | .62-11 |
| 2½ | 4.19 | 1.75 | 2.50 | 3.36 | 6.00 | 3.54 | 2.76 | 4 | .39 | .55 | .39 | 1.25 | 1.91 | 2.47 | 2.57 | A | 7.0 | 8.0 | 5.50 | 4 | .62-11 |
| 3 | 4.88 | 1.75 | 3.00 | 4.15 | 6.25 | 3.54 | 2.76 | 4 | .39 | .55 | .39 | 1.25 | 2.55 | 2.81 | 2.81 | A | 7.5 | 9.0 | 6.00 | 4 | .62-11 |
| 4 | 6.06 | 2.00 | 4.00 | 5.16 | 7.00 | 3.54 | 2.76 | 4 | .39 | .63 | .43 | 1.25 | 3.57 | 3.41 | 4.09 | B | 11.5 | 15.0 | 7.50 | 8 | .62-11 |
| 5 | 7.06 | 2.12 | 5.00 | 6.16 | 7.50 | 3.54 | 2.76 | 4 | .39 | .75 | .51 | 1.25 | 4.63 | 4.03 | 4.61 | C | 14.0 | 20.0 | 8.50 | 8 | .75-10 |
| 6 | 8.12 | 2.12 | 5.75 | 7.02 | 8.00 | 3.54 | 2.76 | 4 | .39 | .75 | .51 | 1.25 | 5.45 | 4.53 | 5.06 | C | 17.0 | 23.0 | 9.50 | 8 | .75-10 |
| 8 | 10.50 | 2.50 | 7.75 | 9.47 | 9.50 | 5.91 | 4.92 | 4 | .57 | .87 | .63 | 1.25 | 7.45 | 5.75 | 6.05 | D | 34.0 | 42.0 | 11.75 | 12 | .75-10 |
| 10 | 12.75 | 2.50 | 9.75 | 11.47 | 10.72 | 5.91 | 4.92 | 4 | .57 | 1.18 | .87 | 2.00 | 9.53 | 7.12 | 7.69 | E | 49.0 | 66.0 | 14.25 | 12 | .88-9 |
| 12 | 14.88 | 3.00 | 11.75 | 13.47 | 12.25 | 5.91 | 4.92 | 4 | .57 | 1.18 | .87 | 2.00 | 11.47 | 8.12 | 9.02 | E | 67.0 | 88.0 | 17.00 | 12 | .88-9 |

Note: K dimension is disc chordal dimension at valve face.

| METRIC DIMENSIONS: Millimeters | | | | | | | | | | | | | | | | | Lug Bolting Data | | | | |
|--------------------------------|-----|----|-----|-----|-----|-----|--------------------|-------------|---------------|----|----|----|-----|-------|-----|--------------|------------------|-----|-------------|-------------|--------------------|
| Valve Size | A | B | C | D | E | F | Top Plate Drilling | | | G | H | J | K | L | | Adapter Code | Weight (Kg) | | Bolt Circle | No of Holes | Threads ISO Coarse |
| | | | | | | | BC | No of Holes | Hole Diameter | | | | | Wafer | Lug | | Wafer | Lug | | | |
| 50 | 94 | 43 | 51 | 72 | 140 | 90 | 70 | 4 | 10 | 14 | 10 | 32 | 34 | 56 | 58 | A | 2.5 | 3 | 121 | 4 | .62-11 |
| 65 | 106 | 46 | 64 | 85 | 152 | 90 | 70 | 4 | 10 | 14 | 10 | 32 | 49 | 63 | 65 | A | 3 | 3.5 | 140 | 4 | .62-11 |
| 80 | 124 | 46 | 76 | 102 | 159 | 90 | 70 | 4 | 10 | 14 | 10 | 32 | 65 | 71 | 71 | A | 3.5 | 4 | 152 | 4 | .62-11 |
| 100 | 154 | 52 | 102 | 131 | 178 | 90 | 70 | 4 | 10 | 16 | 11 | 32 | 91 | 87 | 104 | B | 5 | 7 | 191 | 8 | .62-11 |
| 125 | 181 | 56 | 127 | 156 | 190 | 90 | 70 | 4 | 10 | 19 | 13 | 32 | 118 | 102 | 117 | C | 6 | 9 | 216 | 8 | .75-10 |
| 150 | 206 | 56 | 146 | 178 | 203 | 90 | 70 | 4 | 10 | 19 | 13 | 32 | 138 | 115 | 129 | C | 8 | 10 | 241 | 8 | .75-10 |
| 200 | 267 | 60 | 197 | 240 | 241 | 150 | 125 | 4 | 14 | 22 | 16 | 32 | 189 | 146 | 154 | D | 15 | 19 | 298 | 12 | .75-10 |
| 250 | 324 | 68 | 248 | 291 | 273 | 150 | 125 | 4 | 14 | 30 | 22 | 51 | 242 | 181 | 195 | E | 22 | 30 | 362 | 12 | .88-9 |
| 300 | 378 | 76 | 298 | 342 | 311 | 150 | 125 | 4 | 14 | 30 | 22 | 51 | 291 | 206 | 229 | E | 30 | 40 | 432 | 12 | .88-9 |

Note: K dimension is disc chordal dimension at valve face.

Drawings are for reference only. Please refer to Bray ES drawings on the Bray website, www.bray.com. Bray reserves the right to change product dimensions without notice.

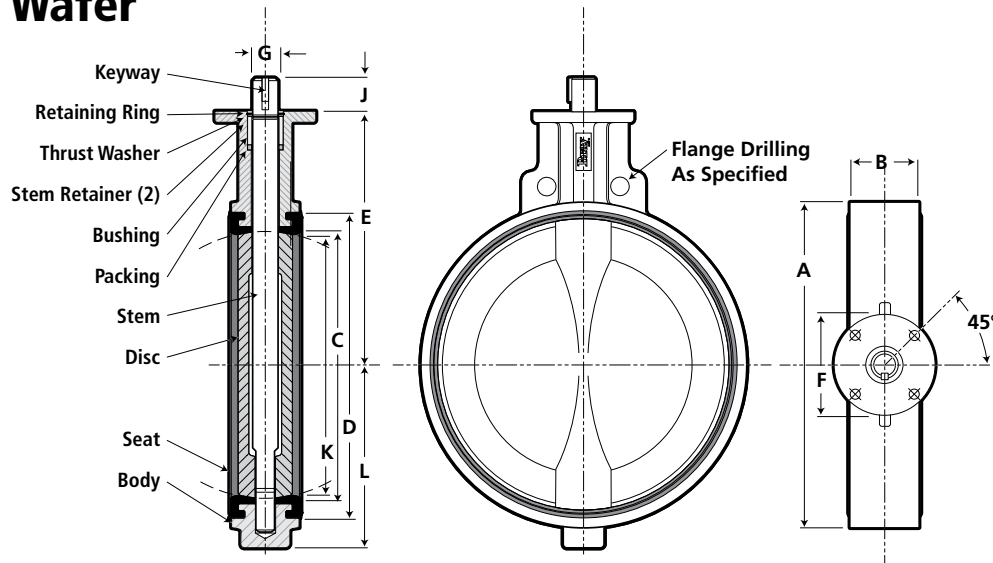
SR Drawing #30/31-2/12-im January - 2015

Customer/Project: _____

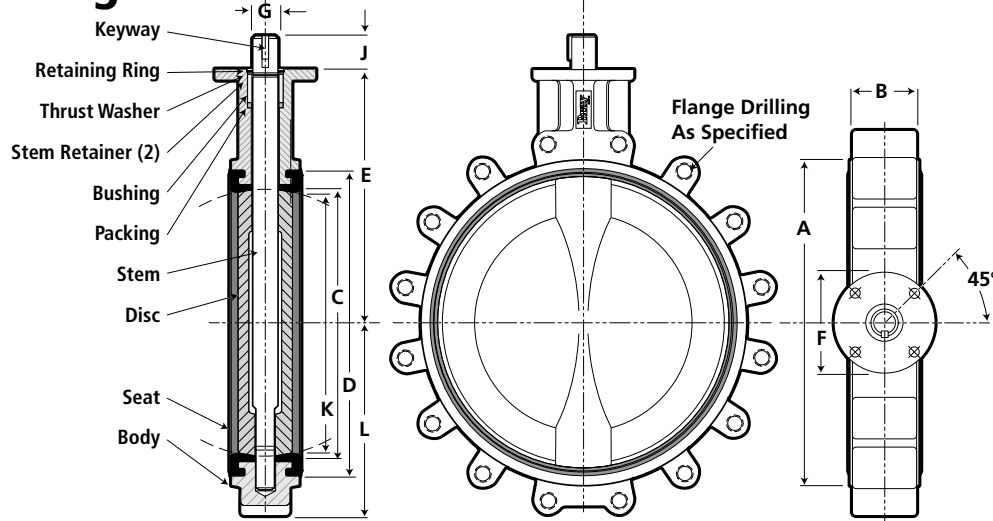
Inquire/P.O. No.: _____

Bray Order No.: _____

Series 30 Wafer



Series 31 Lug



| IMPERIAL DIMENSIONS: Inches | | | | | | | | | | | | | | | | | Lug Bolting Data | | | | |
|-----------------------------|-------|------|-------|-------|-------|------|--------------------|-------------|---------------|------|------|----------|-------|-------|-------|--------------|------------------|-----|-------------|-------------|--------------------|
| Valve Size | A | B | C | D | E | F | Top Plate Drilling | | | G | J | Key Size | K | L | | Adapter Code | Weight (lbs.) | | Bolt Circle | No of Holes | Threads ISO Coarse |
| | | | | | | | BC | No of Holes | Hole Diameter | | | | | Wafer | Lug | | Wafer | Lug | | | |
| 14 | 17.05 | 3.00 | 13.25 | 15.28 | 13.62 | 5.91 | 4.92 | 4 | .57 | 1.38 | 2.00 | .39x.39 | 13.04 | 9.38 | 9.93 | F | 95 | 114 | 18.75 | 12 | 1.00-8 |
| 16 | 19.21 | 4.00 | 15.25 | 17.14 | 14.75 | 5.91 | 4.92 | 4 | .57 | 1.38 | 2.00 | .39x.39 | 14.85 | 10.75 | 11.30 | F | 135 | 166 | 21.25 | 16 | 1.00-8 |
| 18 | 21.12 | 4.25 | 17.25 | 19.47 | 16.00 | 8.27 | 6.50 | 4 | .81 | 1.97 | 2.50 | .47x.39 | 16.85 | 12.00 | 12.15 | G | 200 | 226 | 22.75 | 16 | 1.12-7 |
| 20 | 23.25 | 5.00 | 19.25 | 21.59 | 17.25 | 8.27 | 6.50 | 4 | .81 | 1.97 | 2.50 | .47x.39 | 18.73 | 14.00 | 14.00 | G | 260 | 305 | 25.00 | 20 | 1.12-7 |

Note: K dimension is disc chordal dimension at valve face.

| METRIC DIMENSIONS: Millimeters | | | | | | | | | | | | | | | | | Lug Bolting Data | | | | |
|--------------------------------|-----|-----|-----|-----|-----|-----|--------------------|-------------|---------------|----|----|----------|-----|-------|-----|--------------|------------------|-----|-------------|-------------|--------------------|
| Valve Size | A | B | C | D | E | F | Top Plate Drilling | | | G | J | Key Size | K | L | | Adapter Code | Weight (Kg) | | Bolt Circle | No of Holes | Threads ISO Coarse |
| | | | | | | | BC | No of Holes | Hole Diameter | | | | | Wafer | Lug | | Wafer | Lug | | | |
| 350 | 433 | 76 | 337 | 388 | 346 | 150 | 125 | 4 | 14 | 35 | 51 | 10x10 | 331 | 238 | 252 | F | 43 | 52 | 476 | 12 | 1.00-8 |
| 400 | 488 | 102 | 387 | 442 | 375 | 150 | 125 | 4 | 14 | 35 | 51 | 10x10 | 377 | 273 | 287 | F | 61 | 75 | 540 | 16 | 1.00-8 |
| 450 | 536 | 108 | 438 | 495 | 406 | 210 | 165 | 4 | 21 | 50 | 64 | 12x10 | 428 | 305 | 309 | G | 91 | 103 | 578 | 16 | 1.12-7 |
| 500 | 591 | 127 | 489 | 548 | 438 | 210 | 165 | 4 | 21 | 50 | 64 | 12x10 | 476 | 348 | 358 | G | 118 | 138 | 635 | 20 | 1.12-7 |

Note: K dimension is disc chordal dimension at valve face.

Drawings are for reference only. Please refer to Bray ES drawings on the Bray website, www.bray.com. Bray reserves the right to change product dimensions without notice.

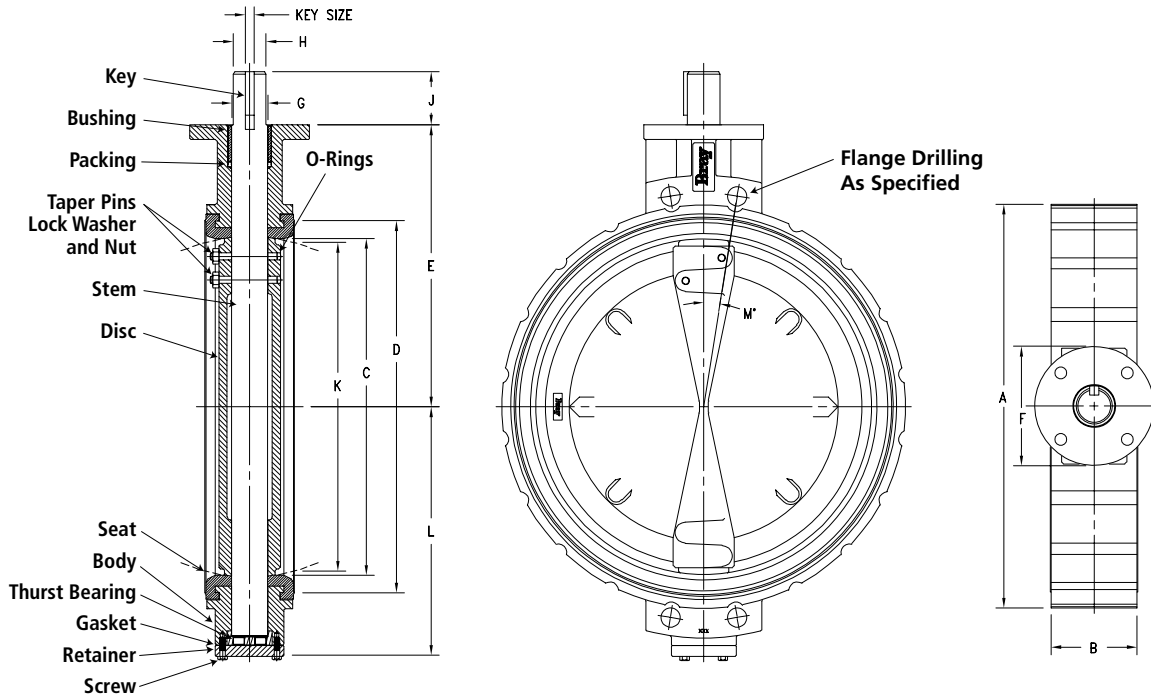
SR Drawing #30/31-14/20-im January - 2015

Inquire/P.O. No.: _____

Customer/Project: _____

Bray Order No.: _____

Series 32/33 Wafer



IMPERIAL DIMENSIONS: Inches

| Valve Size | | | | | | | Mounting Flange Drig. | | | SERIES 32 | | | | | SERIES 33 | | | | Weight (lbs.) | |
|------------|-------|------|-------|-------|-------|-------|-----------------------|-----------|-----------|-----------|------|------|----------|-------|-----------|------|----------|-------|---------------|------|
| | A | B | C | D | E | F | PCD | No. Holes | Hole Dia. | G | H | J | Key Size | K | H | J | Key Size | K | | L |
| 22 | 25.50 | 6.06 | 21.27 | 24.12 | 20.12 | 8.27 | 6.50 | 4 | .81 | 2.50 | 2.50 | 4.00 | .62x.62 | 20.51 | 2.50 | 4.00 | .62x.62 | 20.56 | 16.56 | 400 |
| 24 | 27.94 | 5.94 | 23.28 | 25.75 | 19.50 | 8.27 | 6.50 | 4 | .81 | 2.50 | 2.50 | 4.00 | .62x.62 | 22.65 | 2.50 | 4.00 | .62x.62 | 22.70 | 17.56 | 420 |
| 26 | 29.50 | 6.50 | 24.46 | 27.83 | 21.83 | 11.81 | 10.00 | 8 | .71 | 2.50 | 2.50 | 4.00 | .62x.62 | 23.71 | 2.50 | 4.00 | .62x.62 | 23.76 | 18.82 | 540 |
| 28 | 31.11 | 6.50 | 26.46 | 29.83 | 22.84 | 11.81 | 10.00 | 8 | .71 | 2.50 | 2.50 | 4.00 | .62x.62 | 25.74 | 2.50 | 4.00 | .62x.62 | 25.78 | 19.83 | 580 |
| 30 | 34.13 | 6.56 | 29.29 | 32.14 | 23.00 | 11.81 | 10.00 | 8 | .71 | 3.00 | 2.50 | 4.00 | .62x.62 | 28.68 | 3.00 | 4.00 | .75x.75 | 28.73 | 20.81 | 660 |
| 32 | 35.55 | 7.48 | 30.39 | 33.78 | 26.38 | 11.81 | 10.00 | 8 | .71 | 3.00 | 2.50 | 4.00 | .62x.62 | 29.59 | 3.00 | 4.00 | .75x.75 | 29.65 | 21.94 | 785 |
| 34 | 38.75 | 7.88 | 33.00 | 35.82 | 26.93 | 13.78 | 11.73 | 8 | .81 | 3.50 | 3.00 | 4.00 | .75x.75 | 32.18 | 3.50 | 5.25 | .88x.62 | 32.22 | 23.66 | 905 |
| 36 | 40.69 | 7.88 | 35.30 | 38.25 | 27.75 | 13.78 | 11.73 | 8 | .81 | 3.50 | 3.00 | 4.00 | .75x.75 | 34.57 | 3.50 | 5.25 | .88x.62 | 34.62 | 24.94 | 1025 |

Note: K dimension is disc chordal dimension at valve face.

METRIC DIMENSIONS: Millimeters

| Valve Size | | | | | | | Mounting Flange Drig. | | | SERIES 32 | | | | | SERIES 33 | | | | Weight (kg) | |
|------------|------|-----|-----|-----|-----|-----|-----------------------|-----------|-----------|-----------|------|-------|----------|-----|-----------|-------|----------|-----|-------------|-----|
| | A | B | C | D | E | F | PCD | No. Holes | Hole Dia. | G | H | J | Key Size | K | H | J | Key Size | K | | L |
| 550 | 648 | 154 | 540 | 611 | 511 | 210 | 165 | 4 | 21 | 63.5 | 63.5 | 101.6 | 18.11 | 521 | 63.5 | 101.6 | 18x11 | 522 | 419 | 181 |
| 600 | 710 | 151 | 591 | 654 | 495 | 210 | 165 | 4 | 21 | 63.5 | 63.5 | 101.6 | 18.11 | 575 | 63.5 | 101.6 | 18x11 | 576 | 446 | 191 |
| 650 | 749 | 165 | 621 | 707 | 554 | 300 | 254 | 8 | 18 | 63.5 | 63.5 | 101.6 | 18.11 | 601 | 63.5 | 101.6 | 18x11 | 602 | 478 | 245 |
| 700 | 790 | 165 | 672 | 756 | 580 | 300 | 254 | 8 | 18 | 63.5 | 63.5 | 101.6 | 18.11 | 654 | 63.5 | 101.6 | 18x11 | 655 | 502 | 263 |
| 750 | 868 | 167 | 744 | 813 | 584 | 210 | 165 | 4 | 18 | 76.2 | 63.5 | 101.6 | 18.11 | 728 | 76.2 | 101.6 | 20x12 | 730 | 529 | 299 |
| 800 | 903 | 190 | 772 | 856 | 670 | 300 | 254 | 8 | 18 | 76.2 | 63.5 | 101.6 | 18.11 | 751 | 76.2 | 101.6 | 20x12 | 752 | 556 | 356 |
| 850 | 984 | 200 | 838 | 908 | 684 | 350 | 298 | 8 | 21 | 88.9 | 76.2 | 101.6 | 20x12 | 817 | 88.9 | 133.4 | 22x14 | 818 | 599 | 411 |
| 900 | 1034 | 200 | 899 | 972 | 705 | 273 | 216 | 8 | 21 | 88.9 | 76.2 | 101.6 | 20x12 | 817 | 88.9 | 133.4 | 22x14 | 879 | 633 | 465 |

Note: K dimension is disc chordal dimension at valve face.

Drawings are for reference only. Please refer to Bray ES drawings on the Bray website, www.bray.com. Bray reserves the right to change product dimensions without notice.

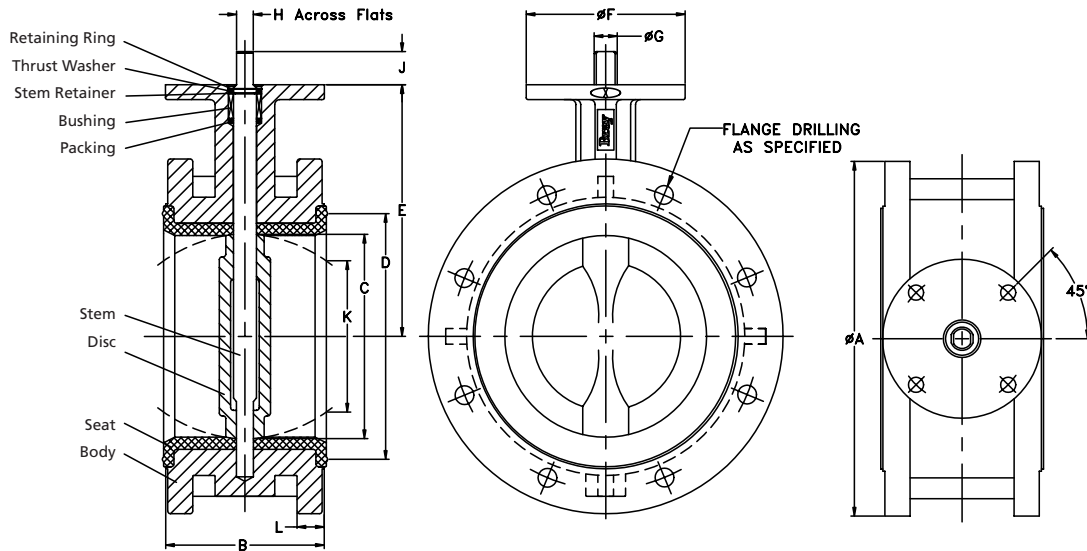
SR Drawing #32/33-22/36-im January - 2015

Inquire/P.O. No.: _____

Customer/Project: _____

Bray Order No.: _____

Series 3A Double Flange



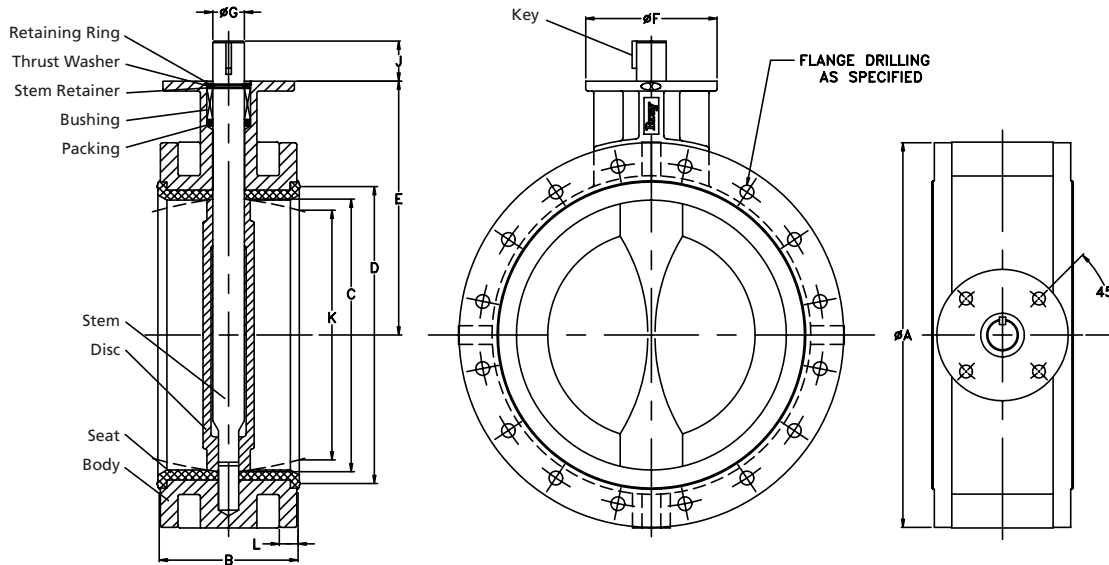
| IMPERIAL DIMENSIONS: Inches | | | | | | | | | | | | | | | | Flange Bolting Data | | | |
|-----------------------------|-------|------|-------|-------|-------|------|--------------------|-------------|---------------|------|-----|------|------|------|--------------|---------------------|-------------|-------------|--------------------|
| Valve Size | A | B | C | D | E | F | Top Plate Drilling | | | G | H | J | K | L | Adapter Code | Weight (lbs.) | Bolt Circle | No of Holes | Threads ISO Coarse |
| | | | | | | | BC | No of Holes | Hole Diameter | | | | | | | | | | |
| 2 | 6.50 | 4.25 | 2.00 | 2.84 | 5.50 | 3.54 | 2.76 | 4 | .39 | .55 | .39 | 1.25 | X | .79 | A | 22 | 4.75 | 4 | 5/8-11 |
| 2.5 | 7.28 | 4.41 | 2.50 | 3.34 | 6.00 | 3.54 | 2.76 | 4 | .39 | .55 | .39 | 1.25 | X | .79 | A | 24 | 5.50 | 4 | 5/8-11 |
| 3 | 7.87 | 4.49 | 3.00 | 4.03 | 6.25 | 3.54 | 2.76 | 4 | .39 | .55 | .39 | 1.25 | X | .87 | A | 28 | 6.00 | 4 | 5/8-11 |
| 4 | 8.66 | 5.00 | 4.00 | 5.16 | 7.00 | 3.54 | 2.76 | 4 | .39 | .63 | .43 | 1.25 | X | .95 | B | 35 | 7.50 | 8 | 5/8-11 |
| 5 | 9.84 | 5.51 | 5.00 | 6.16 | 7.50 | 3.54 | 2.76 | 4 | .39 | .75 | .51 | 1.25 | X | 1.03 | C | 45 | 8.50 | 8 | 3/4-10 |
| 6 | 11.22 | 5.51 | 5.75 | 7.02 | 8.00 | 3.54 | 2.76 | 4 | .39 | .75 | .51 | 1.25 | 1.78 | 1.03 | C | 59 | 9.50 | 8 | 3/4-10 |
| 8 | 13.50 | 5.98 | 7.75 | 9.47 | 9.50 | 5.91 | 4.92 | 4 | .57 | .87 | .63 | 1.25 | 5.00 | 1.18 | D | 70 | 11.75 | 8 | 3/4-10 |
| 10 | 15.94 | 6.50 | 9.75 | 11.47 | 10.75 | 5.91 | 4.92 | 4 | .57 | 1.18 | .87 | 2.00 | 7.35 | 1.26 | E | 132 | 14.25 | 12 | 7/8-9 |
| 12 | 19.00 | 7.01 | 11.75 | 13.47 | 12.25 | 5.91 | 4.92 | 4 | .57 | 1.18 | .87 | 2.00 | 9.53 | 1.26 | E | 178 | 17.00 | 12 | 7/8-9 |

Note: K dimension is disc chordal dimension at valve face.

| METRIC DIMENSIONS: Millimeters | | | | | | | | | | | | | | | | Flange Bolting Data | | | |
|--------------------------------|-----|-----|-----|-----|-----|-----|--------------------|-------------|---------------|----|----|----|-----|----|--------------|---------------------|-------------|-------------|--------------------|
| Valve Size | A | B | C | D | E | F | Top Plate Drilling | | | G | H | J | K | L | Adapter Code | Weight (kg) | Bolt Circle | No of Holes | Threads ISO Coarse |
| | | | | | | | BC | No of Holes | Hole Diameter | | | | | | | | | | |
| 50 | 165 | 108 | 51 | 72 | 140 | 90 | 70 | 4 | 9.9 | 14 | 10 | 32 | X | 20 | A | 10 | 121 | 4 | 5/8-11 |
| 65 | 185 | 112 | 64 | 85 | 152 | 90 | 70 | 4 | 9.9 | 14 | 10 | 32 | X | 20 | A | 11 | 140 | 4 | 5/8-11 |
| 80 | 200 | 114 | 76 | 102 | 159 | 90 | 70 | 4 | 9.9 | 14 | 10 | 32 | X | 22 | A | 13 | 152 | 4 | 5/8-11 |
| 100 | 220 | 127 | 102 | 131 | 178 | 90 | 70 | 4 | 9.9 | 16 | 11 | 32 | X | 24 | B | 16 | 191 | 8 | 5/8-11 |
| 125 | 250 | 140 | 146 | 178 | 203 | 90 | 70 | 4 | 9.9 | 19 | 13 | 32 | X | 26 | C | 20 | 216 | 8 | 3/4-10 |
| 150 | 285 | 140 | 146 | 178 | 203 | 90 | 70 | 4 | 9.9 | 19 | 13 | 32 | 45 | 26 | C | 27 | 241 | 8 | 3/4-10 |
| 200 | 343 | 152 | 197 | 241 | 241 | 150 | 125 | 4 | 14.5 | 22 | 16 | 32 | 127 | 30 | D | 32 | 298 | 8 | 3/4-10 |
| 250 | 405 | 165 | 248 | 291 | 273 | 150 | 125 | 4 | 14.5 | 30 | 22 | 51 | 187 | 32 | E | 60 | 362 | 12 | 7/8-9 |
| 300 | 483 | 178 | 298 | 342 | 311 | 150 | 125 | 4 | 14.5 | 30 | 22 | 51 | 242 | 32 | E | 81 | 432 | 12 | 7/8-9 |

Note: K dimension is disc chordal dimension at valve face.

Series 3A Double Flange



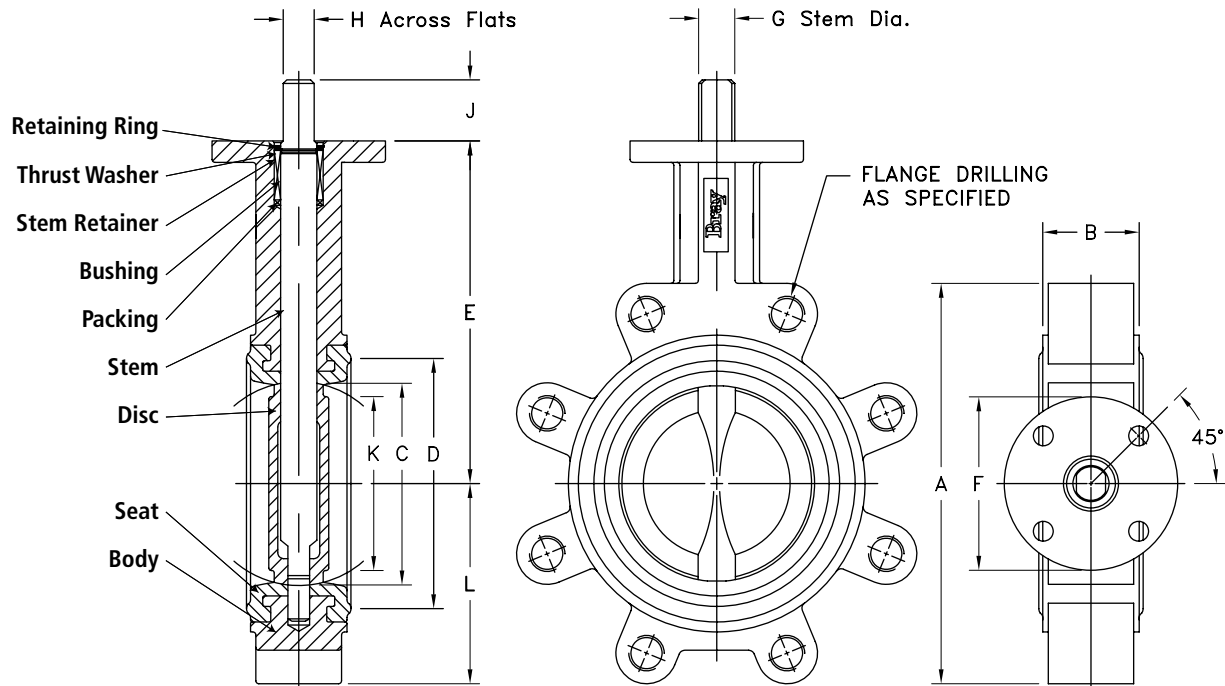
| IMPERIAL DIMENSIONS: Inches | | | | | | | | | | | | | | | | Flange Bolting Data | | | |
|-----------------------------|-------|------|-------|-------|-------|------|--------------------|-------------|---------------|------|----------|------|-------|------|--------------|---------------------|-------------|-------------|--------------------|
| Valve Size | A | B | C | D | E | F | Top Plate Drilling | | | G | Key Size | J | K | L | Adapter Code | Weight (lbs.) | Bolt Circle | No of Holes | Threads ISO Coarse |
| | | | | | | | BC | No of Holes | Hole Diameter | | | | | | | | | | |
| 14 | 21.00 | 7.48 | 13.25 | 15.28 | 13.62 | 5.91 | 4.92 | 4 | .57 | 1.38 | .39x.39 | 2.00 | 11.07 | 1.42 | F | 258 | 18.75 | 12 | 1-8 |
| 16 | 23.50 | 8.51 | 15.25 | 17.41 | 14.75 | 5.91 | 4.92 | 4 | .57 | 1.38 | .39x.39 | 2.00 | 12.81 | 1.50 | F | 318 | 21.25 | 16 | 1-8 |
| 18 | 25.20 | 8.74 | 17.25 | 19.47 | 16.00 | 8.27 | 6.50 | 4 | .81 | 1.97 | .47x.39 | 2.50 | 15.02 | 1.65 | G | 459 | 22.75 | 16 | 11/8-7 |
| 20 | 28.15 | 9.02 | 19.25 | 21.29 | 17.25 | 8.27 | 6.50 | 4 | .81 | 1.97 | .47x.39 | 2.50 | 17.15 | 1.65 | G | 534 | 25.00 | 20 | 11/8-7 |

Note: K dimension is disc chordal dimension at valve face.

| METRIC DIMENSIONS: Millimeters | | | | | | | | | | | | | | | | Flange Bolting Data | | | |
|--------------------------------|-----|-----|-----|-----|-----|-----|--------------------|-------------|---------------|----|-------|----|-----|----|--------------|---------------------|-------------|-------------|--------------------|
| Valve Size | A | B | C | D | E | F | Top Plate Drilling | | | G | H | J | K | L | Adapter Code | Weight (kg.) | Bolt Circle | No of Holes | Threads ISO Coarse |
| | | | | | | | BC | No of Holes | Hole Diameter | | | | | | | | | | |
| 350 | 533 | 190 | 337 | 388 | 346 | 150 | 125 | 4 | 14 | 35 | 10x10 | 51 | 281 | 36 | F | 117 | 476 | 12 | 1-8 |
| 400 | 597 | 216 | 387 | 442 | 375 | 150 | 125 | 4 | 14 | 35 | 10x10 | 51 | 325 | 38 | F | 144 | 540 | 16 | 1-8 |
| 450 | 640 | 222 | 438 | 495 | 406 | 210 | 165 | 4 | 21 | 50 | 12x10 | 64 | 381 | 42 | G | 208 | 578 | 16 | 11/8-7 |
| 500 | 715 | 229 | 489 | 548 | 438 | 210 | 165 | 4 | 21 | 50 | 12x10 | 64 | 436 | 42 | G | 242 | 635 | 20 | 11/8-7 |

Note: K dimension is disc chordal dimension at valve face.

Series 31H Lug



| IMPERIAL DIMENSIONS: Inches | | | | | | | | | | | | | | | Lug Bolting Data | | | | |
|-----------------------------|-------|------|-------|-------|-------|------|--------------------|-------------|---------------|------|-----|------|-------|------|------------------|--------------|-------------|-------------|--------------------|
| Valve Size | A | B | C | D | E | F | Top Plate Drilling | | | G | H | J | K | L | Adapter Code | Weight (lbs) | Bolt Circle | No of Holes | Threads ISO Coarse |
| | | | | | | | BC | No of Holes | Hole Diameter | | | | | | | | | | |
| 2 | 3.69 | 1.62 | 2.00 | 2.84 | 5.50 | 3.54 | 2.76 | 4 | .39 | .55 | .39 | 1.25 | 1.32 | 2.30 | A | 7.0 | 4.75 | 4 | .62-11 |
| 2½ | 4.19 | 1.75 | 2.50 | 3.34 | 6.00 | 3.54 | 2.76 | 4 | .39 | .55 | .39 | 1.25 | 1.91 | 2.57 | A | 8.0 | 5.50 | 4 | .62-11 |
| 3 | 4.88 | 1.75 | 3.00 | 4.03 | 6.25 | 3.54 | 2.76 | 4 | .39 | .55 | .39 | 1.25 | 2.55 | 2.81 | A | 9.0 | 6.00 | 4 | .62-11 |
| 4 | 6.06 | 2.00 | 4.00 | 5.16 | 7.00 | 3.54 | 2.76 | 4 | .39 | .63 | .43 | 1.25 | 3.57 | 4.09 | B | 15.0 | 7.50 | 8 | .62-11 |
| 5 | 7.12 | 2.12 | 5.00 | 6.16 | 7.50 | 3.54 | 2.76 | 4 | .39 | .75 | .51 | 1.25 | 4.63 | 4.61 | C | 20.0 | 8.50 | 8 | .75-10 |
| 6 | 8.12 | 2.12 | 5.75 | 7.02 | 8.00 | 3.54 | 2.76 | 4 | .39 | .75 | .51 | 1.25 | 5.45 | 5.06 | C | 23.0 | 9.50 | 8 | .75-10 |
| 8 | 10.50 | 2.50 | 7.75 | 9.47 | 9.50 | 5.91 | 4.92 | 4 | .57 | .87 | .63 | 1.25 | 7.45 | 6.05 | D | 42.0 | 11.75 | 8 | .75-10 |
| 10 | 12.75 | 2.50 | 9.75 | 11.47 | 10.72 | 5.91 | 4.92 | 4 | .57 | 1.18 | .87 | 2.00 | 9.53 | 7.69 | E | 66.0 | 14.25 | 12 | .88-9 |
| 12 | 14.88 | 3.00 | 11.75 | 13.47 | 12.25 | 5.91 | 4.92 | 4 | .57 | 1.18 | .87 | 2.00 | 11.47 | 9.02 | E | 88.0 | 17.00 | 12 | .88-9 |

Note: K dimension is disc chordal dimension at valve face.

| METRIC DIMENSIONS: Millimeters | | | | | | | | | | | | | | | Lug Bolting Data | | | | |
|--------------------------------|-----|---|-----|-----|-----|-----|--------------------|-------------|---------------|----|----|----|-----|-----|------------------|-------------|-------------|-------------|--------------------|
| Valve Size | A | B | C | D | E | F | Top Plate Drilling | | | G | H | J | K | L | Adapter Code | Weight (Kg) | Bolt Circle | No of Holes | Threads ISO Coarse |
| | | | | | | | BC | No of Holes | Hole Diameter | | | | | | | | | | |
| 50 | 94 | 2 | 51 | 72 | 140 | 90 | 70 | 4 | 10 | 14 | 10 | 32 | 34 | 58 | A | 3 | 121 | 4 | .62-11 |
| 65 | 106 | 2 | 64 | 85 | 152 | 90 | 70 | 4 | 10 | 14 | 10 | 32 | 49 | 65 | A | 3.6 | 140 | 4 | .62-11 |
| 80 | 124 | 2 | 76 | 102 | 159 | 90 | 70 | 4 | 10 | 14 | 10 | 32 | 65 | 71 | A | 4.1 | 152 | 4 | .62-11 |
| 100 | 154 | 2 | 102 | 131 | 178 | 90 | 70 | 4 | 10 | 16 | 11 | 32 | 91 | 104 | B | 7 | 191 | 8 | .62-11 |
| 125 | 181 | 2 | 127 | 156 | 191 | 90 | 70 | 4 | 10 | 19 | 13 | 32 | 118 | 117 | C | 9 | 216 | 8 | .75-10 |
| 150 | 206 | 2 | 146 | 178 | 203 | 90 | 70 | 4 | 10 | 19 | 13 | 32 | 138 | 129 | C | 10 | 241 | 8 | .75-10 |
| 200 | 267 | 3 | 197 | 241 | 241 | 150 | 125 | 4 | 14 | 22 | 16 | 32 | 189 | 154 | D | 19 | 298 | 8 | .75-10 |
| 250 | 324 | 3 | 248 | 291 | 272 | 150 | 125 | 4 | 14 | 30 | 22 | 51 | 242 | 195 | E | 30 | 362 | 12 | .88-9 |
| 300 | 378 | 3 | 298 | 342 | 311 | 150 | 125 | 4 | 14 | 30 | 22 | 51 | 291 | 229 | E | 40 | 432 | 12 | .88-9 |

Note: K dimension is disc chordal dimension at valve face.

Drawings are for reference only. Please refer to Bray ES drawings on the Bray website, www.bray.com. Bray reserves the right to change product dimensions without notice.

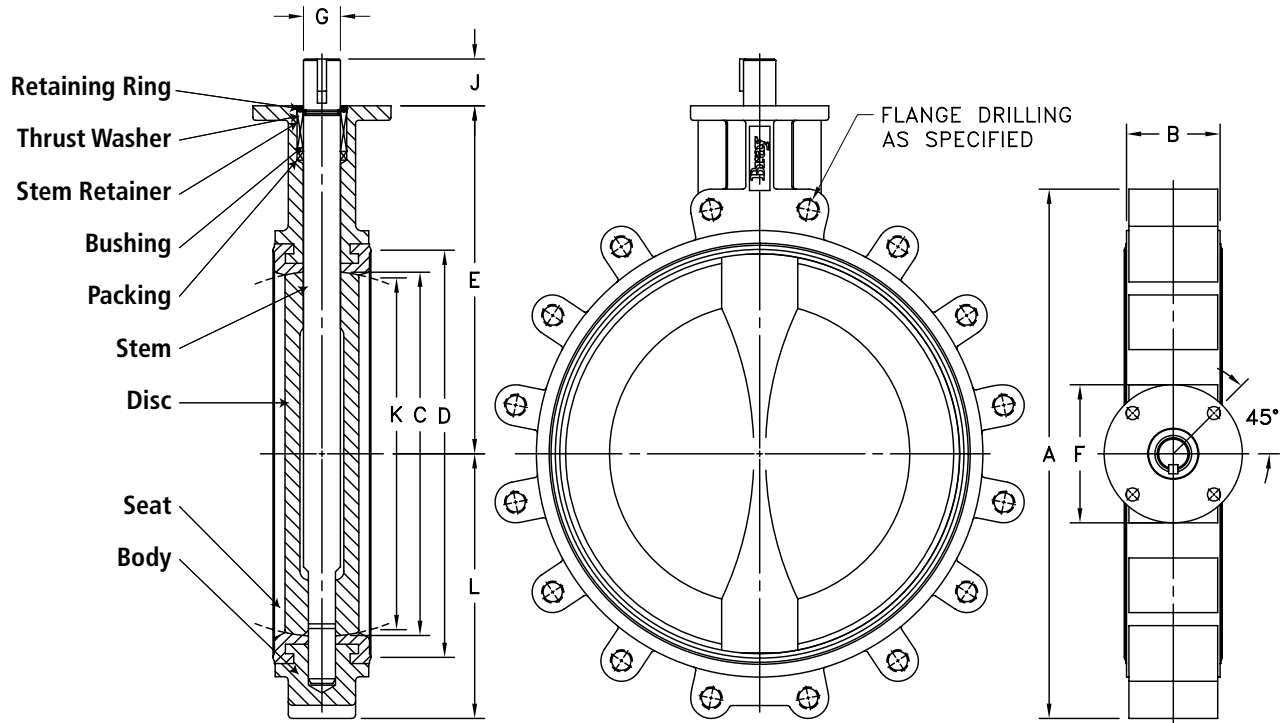
SR Drawing #31H-2/12-im January - 2015

Inquire/P.O. No.: _____

Customer/Project: _____

Bray Order No.: _____

Series 31H Lug



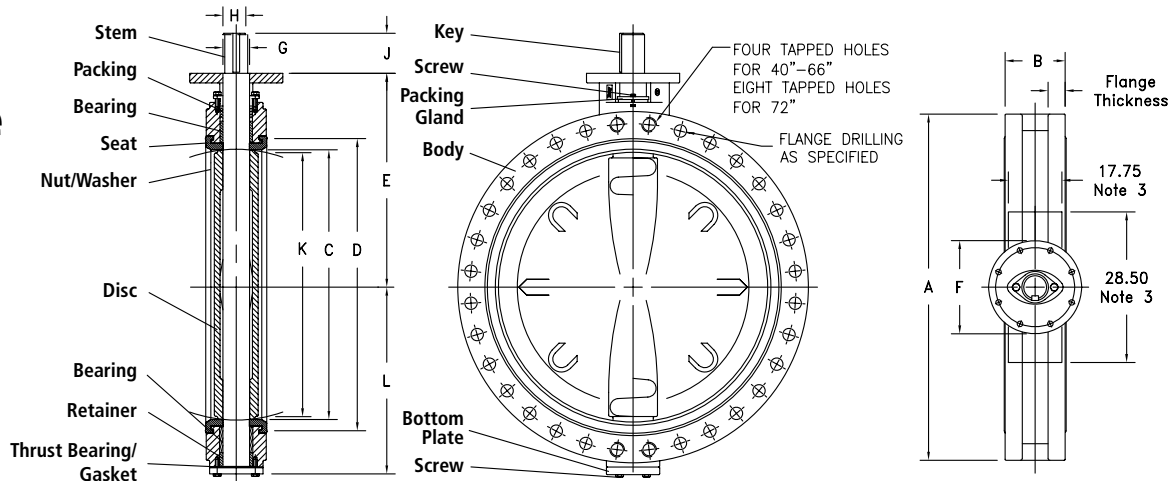
| IMPERIAL DIMENSIONS: Inches | | | | | | | | | | | | | | | | Lug Bolting Data | | | |
|-----------------------------|-------|------|-------|-------|-------|------|--------------------|-------------|---------------|------|------|----------|-------|-------|--------------|------------------|-------------|-------------|--------------------|
| Valve Size | A | B | C | D | E | F | Top Plate Drilling | | | G | J | Key Size | K | L | Adapter Code | Weight (lbs) | Bolt Circle | No of Holes | Threads ISO Coarse |
| | | | | | | | BC | No of Holes | Hole Diameter | | | | | | | | | | |
| 14 | 16.94 | 3.00 | 13.25 | 15.28 | 13.62 | 5.91 | 4.92 | 4 | .57 | 1.38 | 2.00 | .39x.39 | 13.04 | 9.93 | F | 114 | 18.75 | 12 | 1.00-8 |
| 16 | 19.06 | 4.00 | 15.25 | 17.41 | 14.75 | 5.91 | 4.92 | 4 | .57 | 1.38 | 2.00 | .39x.39 | 14.85 | 11.30 | F | 166 | 21.25 | 16 | 1.00-8 |
| 18 | 21.12 | 4.25 | 17.25 | 19.47 | 16.00 | 8.27 | 6.50 | 4 | .81 | 1.97 | 2.50 | .47x.39 | 16.85 | 12.16 | G | 226 | 22.75 | 16 | 1.12-7 |
| 20 | 23.25 | 5.00 | 19.25 | 21.59 | 17.25 | 8.27 | 6.50 | 4 | .81 | 1.97 | 2.50 | .47x.39 | 18.73 | 14.00 | G | 305 | 25.00 | 20 | 1.12-7 |

Note: K dimension is disc chordal dimension at valve face.

| METRIC DIMENSIONS: Millimeters | | | | | | | | | | | | | | | | Lug Bolting Data | | | |
|--------------------------------|-----|-----|-----|-----|-----|-----|--------------------|-------------|---------------|----|----|----------|-----|-----|--------------|------------------|-------------|-------------|--------------------|
| Valve Size | A | B | C | D | E | F | Top Plate Drilling | | | G | J | Key Size | K | L | Adapter Code | Weight (Kg) | Bolt Circle | No of Holes | Threads ISO Coarse |
| | | | | | | | BC | No of Holes | Hole Diameter | | | | | | | | | | |
| 350 | 430 | 76 | 337 | 388 | 346 | 150 | 125 | 4 | 14 | 35 | 51 | 10x10 | 331 | 252 | F | 52 | 476 | 12 | 1.00-8 |
| 400 | 484 | 102 | 387 | 442 | 375 | 150 | 125 | 4 | 14 | 35 | 51 | 10x10 | 377 | 287 | F | 75 | 540 | 16 | 1.00-8 |
| 450 | 536 | 108 | 438 | 495 | 406 | 210 | 165 | 4 | 21 | 50 | 64 | 12x10 | 428 | 309 | G | 103 | 578 | 16 | 1.12-7 |
| 500 | 591 | 127 | 489 | 548 | 438 | 210 | 165 | 4 | 21 | 50 | 64 | 12x10 | 476 | 356 | G | 138 | 635 | 20 | 1.12-7 |

Note: K dimension is disc chordal dimension at valve face.

Series 35-36 Double Flange



- NOTES:
1. K dimension is disc cordial dimension of valve face.
 2. * Denotes preliminary dimensions.
 3. These dimensions apply ONLY to the size 72".

| IMPERIAL DIMENSIONS: Inches | | ANSI Class 125/150 Valves | | | | | | | | | | | | | | | | | | |
|-----------------------------|-----------------|---------------------------|-------|-------|-------|-------|--------------------------|-----------|-----------|------|-----------|------|----------|-------|-----------|-------|----------|-------|-------|---------------|
| Valve Size Ins | A | B | C | D | E | F | Mounting Flange Drilling | | | G | SERIES 35 | | | | SERIES 36 | | | | L | Weight (lbs.) |
| | | | | | | | PCD | No. Holes | Hole Dia. | | H | J | Key Size | K | H | J | Key Size | K | | |
| 22 | 31.25 | 6.06 | 21.27 | 24.12 | 20.12 | 8.27 | 6.50 | 4 | .81 | 2.50 | 2.50 | 4.00 | .62x.62 | 20.51 | 2.50 | 4.00 | .62x.62 | 20.56 | 16.56 | 475 |
| 24 | 33.00 | 5.94 | 23.28 | 25.75 | 19.50 | 8.27 | 6.50 | 4 | .81 | 2.50 | 2.50 | 4.00 | .62x.62 | 22.65 | 2.50 | 4.00 | .62x.62 | 22.70 | 17.56 | 500 |
| 26 | 35.25 | 6.50 | 24.46 | 27.83 | 21.83 | 11.81 | 10.00 | 8 | .71 | 2.50 | 2.50 | 4.00 | .62x.62 | 23.71 | 2.50 | 4.00 | .62x.62 | 23.76 | 18.82 | 675 |
| 28 | 37.80 | 6.50 | 26.46 | 29.83 | 22.84 | 11.81 | 10.00 | 8 | .71 | 2.50 | 2.50 | 4.00 | .62x.62 | 25.74 | 2.50 | 4.00 | .62x.62 | 25.79 | 19.83 | 735 |
| 30 | 38.75 | 6.56 | 29.29 | 32.14 | 23.00 | 11.81 | 10.00 | 8 | .71 | 3.00 | 2.50 | 4.00 | .62x.62 | 28.68 | 3.00 | 4.00 | .75x.75 | 28.73 | 20.81 | 855 |
| 32 | 41.75 | 7.48 | 30.39 | 33.78 | 26.38 | 11.81 | 10.00 | 8 | .71 | 3.00 | 2.50 | 4.00 | .62x.62 | 29.59 | 3.00 | 4.00 | .75x.75 | 29.64 | 21.94 | 1010 |
| 34 | 44.69 | 7.88 | 33.00 | 35.82 | 26.93 | 13.78 | 11.73 | 8 | .81 | 3.50 | 3.00 | 4.00 | .75x.75 | 32.18 | 3.50 | 5.25 | .88x.62 | 32.23 | 23.66 | 1165 |
| 36 | 46.00 | 7.88 | 35.30 | 38.25 | 27.75 | 13.78 | 11.73 | 8 | .81 | 3.50 | 3.00 | 4.00 | .75x.75 | 34.57 | 3.50 | 5.25 | .88x.62 | 34.62 | 24.94 | 1320 |
| 40 | 50.75 | 8.50 | 38.27 | 41.66 | 30.79 | 13.78 | 11.73 | 8 | .81 | 4.00 | 3.50 | 5.25 | .88x.62 | 37.44 | 4.00 | 5.25 | 1.0x.75 | 37.49 | 26.56 | 2140 |
| 42 | 53.00 | 9.88 | 41.25 | 44.62 | 32.00 | 13.78 | 11.73 | 8 | .81 | 4.00 | 3.50 | 5.25 | .88x.62 | 40.21 | 4.00 | 5.25 | 1.0x.75 | 40.26 | 27.81 | 2550 |
| 44 | 55.25 | 9.88 | 43.25 | 46.72 | 33.12 | 13.78 | 11.73 | 8 | .81 | 4.00 | 3.50 | 5.25 | .88x.62 | 42.24 | 4.00 | 5.25 | 1.0x.75 | 42.29 | 29.06 | 2800 |
| 48 | 59.50 | 10.88 | 47.25 | 50.62 | 36.00 | 16.34 | 14.02 | 8 | 1.28 | 5.00 | 4.00 | 5.25 | 1.0x.75 | 46.16 | 5.00 | 6.00 | 1.25x.88 | 46.21 | 31.06 | 3200 |
| 52 | Consult Factory | | | | | | | | | | | | | | | | | | | |
| 54 | 69.00 | 15.00 | 54.00 | 57.50 | 40.62 | 13.78 | 11.73 | 8 | .81 | 6.00 | 5.00 | 5.25 | 1.25x.88 | 52.02 | — | — | — | — | 37.25 | 6000 |
| 54 | 69.00 | 15.00 | 54.00 | 57.50 | 40.62 | 16.34 | 14.02 | 8 | 1.28 | 6.00 | — | — | — | — | 6.00 | 6.50 | 1.5x1.0 | 52.06 | 37.25 | 6000 |
| 56 | Consult Factory | | | | | | | | | | | | | | | | | | | |
| 60 | 73.00 | 15.00 | 58.39 | 63.07 | 44.31 | 16.34 | 14.02 | 8 | 1.38 | 7.00 | 6.00 | 6.50 | 1.5x1.0 | 56.67 | — | — | — | — | 39.12 | 7000 |
| 60 | 73.00 | 15.00 | 58.39 | 63.07 | 44.31 | 18.70 | 15.98 | 8 | 1.56 | 7.00 | — | — | — | — | 7.00 | 7.50 | 1.75x1.5 | 56.72 | 39.12 | 7000 |
| 64 | Consult Factory | | | | | | | | | | | | | | | | | | | |
| 66 | 80.00 | 18.00 | 65.12 | 70.04 | 48.75 | 16.34 | 14.02 | 8 | 1.38 | 7.00 | 6.00 | 6.50 | 1.5x1.0 | 62.84 | — | — | — | — | 43.80 | 8000 |
| 66 | 80.00 | 18.00 | 65.12 | 70.04 | 48.75 | 18.70 | 15.98 | 8 | 1.56 | 7.00 | — | — | — | — | 7.00 | 7.50 | 1.75x1.5 | 62.88 | 43.80 | 8000 |
| 72 | 86.50 | 18.00 | 69.22 | 73.90 | 52.25 | 22.05 | 15.98 | 8 | 1.56 | 8.50 | 7.50 | 8.00 | 1.75x1.5 | 67.06 | — | — | — | — | 46.92 | 11250 |
| 72 | 86.50 | 18.00 | 69.22 | 73.90 | 52.25 | 22.05 | 19.02 | 12 | 1.56 | 8.50 | — | — | — | — | 8.50 | 10.00 | 2.0x1.5 | 67.10 | 46.92 | 11250 |
| 78 | 93.00 | 18.00 | 76.37 | 81.29 | 55.00 | 27.00 | 19.02 | 12 | 1.31 | 8.50 | 7.50 | 8.00 | 1.75x1.5 | 74.49 | — | — | — | — | 51.28 | 12950 |
| 78 | 93.00 | 18.00 | 76.37 | 81.29 | 55.00 | 27.00 | 19.02 | 12 | 1.56 | 8.50 | — | — | — | — | 8.50 | 8.50 | 2.0x1.5 | 74.54 | 51.28 | 12950 |
| 84 | 99.76 | 18.00 | 82.62 | 87.54 | 58.88 | 27.00 | 23.74 | 20 | 1.31 | 9.50 | 8.50 | 8.50 | 2.0x1.5 | 80.91 | — | — | — | — | 55.66 | 14500 |
| 84 | 99.76 | 18.00 | 82.62 | 87.54 | 58.88 | 27.00 | 23.74 | 20 | 1.56 | 9.50 | — | — | — | — | 9.50 | 10.00 | 2.5x1.75 | 80.96 | 55.66 | 14500 |
| 90 | Consult Factory | | | | | | | | | | | | | | | | | | | |
| 96 | Consult Factory | | | | | | | | | | | | | | | | | | | |

Drawings are for reference only. Please refer to Bray ES drawings on the Bray website, www.bray.com. Bray reserves the right to change product dimensions without notice.

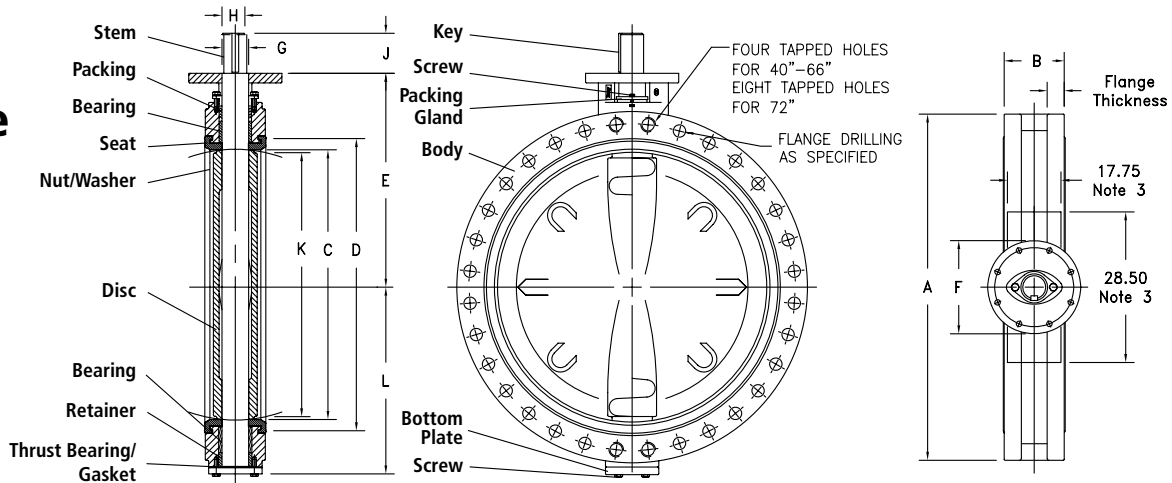
SR Drawing #35/36-22/96-in January - 2015

Inquire/P.O. No.: _____

Customer/Project: _____

Bray Order No.: _____

Series 35-36 Double Flange



- NOTES:
 1. K dimension is disc cordial dimension of valve face.
 2. * Denotes preliminary dimensions.
 3. These dimensions apply ONLY to the size 72".

METRIC DIMENSIONS: Millimeters ANSI Class 125/150 Valves

| Valve Size mm | | | | | | | Mounting Flange Drilling | | | SERIES 35 | | | | | SERIES 36 | | | | | Weight (kg) |
|---------------|-----------------|-----|------|------|------|-----|--------------------------|-----------|-----------|-----------|-----|-----|----------|------|-----------|-----|----------|------|------|-------------|
| | A | B | C | D | E | F | PCD | No. Holes | Hole Dia. | G | H | J | Key Size | K | H | J | Key Size | K | L | |
| 550 | 794 | 154 | 540 | 613 | 511 | 210 | 165 | 4 | 21 | 64 | 64 | 102 | 16 x 16 | 521 | 64 | 102 | 16 x 16 | 9 | 421 | 215 |
| 600 | 838 | 151 | 591 | 654 | 495 | 210 | 165 | 4 | 21 | 64 | 64 | 102 | 16 x 16 | 575 | 64 | 102 | 16 x 16 | 10 | 446 | 227 |
| 650 | 895 | 165 | 621 | 707 | 554 | 300 | 254 | 8 | 18 | 64 | 64 | 102 | 16 x 16 | 602 | 64 | 102 | 16 x 16 | 11 | 478 | 306 |
| 700 | 960 | 165 | 672 | 758 | 580 | 300 | 254 | 8 | 18 | 64 | 64 | 102 | 16 x 16 | 654 | 64 | 102 | 16 x 16 | 12 | 504 | 333 |
| 750 | 984 | 167 | 744 | 816 | 584 | 300 | 254 | 8 | 18 | 76 | 64 | 102 | 16 x 16 | 728 | 76 | 102 | 19 x 19 | 13 | 529 | 388 |
| 800 | 1060 | 190 | 772 | 858 | 670 | 300 | 254 | 8 | 18 | 76 | 64 | 102 | 16 x 16 | 752 | 76 | 102 | 19 x 19 | 13 | 557 | 458 |
| 850 | 1135 | 200 | 838 | 910 | 684 | 350 | 298 | 8 | 21 | 89 | 76 | 102 | 19 x 19 | 817 | 89 | 133 | 22 x 16 | 818 | 601 | 528 |
| 900 | 1168 | 200 | 897 | 972 | 705 | 350 | 298 | 8 | 21 | 89 | 76 | 102 | 19 x 19 | 878 | 89 | 133 | 22 x 16 | 879 | 633 | 599 |
| 1000 | 1289 | 216 | 972 | 1058 | 782 | 350 | 298 | 8 | 21 | 102 | 89 | 133 | 22 x 16 | 951 | 102 | 133 | 25 x 19 | 952 | 675 | 971 |
| 1050 | 1346 | 251 | 1048 | 1133 | 813 | 350 | 298 | 8 | 21 | 102 | 89 | 133 | 22 x 16 | 1021 | 102 | 133 | 25 x 19 | 1022 | 706 | 1157 |
| 1100 | 1403 | 251 | 1099 | 1187 | 841 | 350 | 298 | 8 | 21 | 102 | 89 | 133 | 22 x 16 | 1073 | 102 | 133 | 25 x 19 | 1074 | 738 | 1270 |
| 1200 | 1511 | 276 | 1200 | 1286 | 914 | 415 | 356 | 8 | 33 | 127 | 102 | 133 | 25 x 19 | 1172 | 127 | 152 | 32 x 22 | 1174 | 789 | 1451 |
| 1300 | CONSULT FACTORY | | | | | | | | | | | | | | | | | | | |
| 1350 | 1753 | 381 | 1372 | 1461 | 1032 | 350 | 298 | 8 | 21 | 152 | 127 | 133 | 32 x 22 | 1321 | — | — | — | — | 946 | 2722 |
| 1350 | 1753 | 381 | 1372 | 1461 | 1032 | 415 | 356 | 8 | 33 | 152 | — | — | — | — | 152 | 165 | 38 x 25 | 1322 | 946 | 2722 |
| 1400 | CONSULT FACTORY | | | | | | | | | | | | | | | | | | | |
| 1500 | 1854 | 381 | 1483 | 1602 | 1125 | 415 | 356 | 8 | 35 | 178 | 152 | 165 | 38 x 25 | 1439 | — | — | — | — | 994 | 3175 |
| 1500 | 1854 | 381 | 1483 | 1602 | 1125 | 475 | 406 | 8 | 40 | 178 | — | — | — | — | 178 | 191 | 45 x 38 | 1441 | 994 | 3175 |
| 1600 | CONSULT FACTORY | | | | | | | | | | | | | | | | | | | |
| 1650 | 2032 | 457 | 1654 | 1779 | 1238 | 415 | 356 | 8 | 35 | 178 | 152 | 165 | 39 x 25 | 1596 | — | — | — | — | 1113 | 3629 |
| 1650 | 2032 | 457 | 1654 | 1779 | 1238 | 475 | 406 | 8 | 40 | 178 | — | — | — | — | 178 | 191 | 45 x 38 | 1597 | 1113 | 3629 |
| 1800 | 2197 | 457 | 1758 | 1877 | 1327 | 560 | 406 | 8 | 40 | 216 | 191 | 203 | 45 x 38 | 1703 | — | — | — | — | 1192 | 5103 |
| 1800 | 2197 | 457 | 1758 | 1877 | 1327 | 560 | 483 | 12 | 40 | 216 | — | — | — | — | 216 | 254 | 51 x 38 | 1704 | 1192 | 5103 |
| 2000 | 2362 | 457 | 1940 | 2065 | 1397 | 686 | 483 | 12 | 33 | 216 | 191 | 203 | 45 x 38 | 1892 | — | — | — | — | 1303 | 5874 |
| 2000 | 2362 | 457 | 1940 | 2065 | 1397 | 686 | 483 | 12 | 40 | 216 | — | — | — | — | 216 | 216 | 51 x 38 | 1893 | 1303 | 5874 |
| 2100 | 2534 | 457 | 2099 | 2224 | 1496 | 686 | 603 | 20 | 33 | 241 | 216 | 216 | 51 x 38 | 2055 | — | — | — | — | 1414 | 6577 |
| 2100 | 2534 | 457 | 2099 | 2224 | 1496 | 686 | 603 | 20 | 40 | 241 | — | — | — | — | 241 | 254 | 64 x 45 | 2056 | 1414 | 6577 |
| 2200 | CONSULT FACTORY | | | | | | | | | | | | | | | | | | | |
| 2400 | CONSULT FACTORY | | | | | | | | | | | | | | | | | | | |

Drawings are for reference only. Please refer to Bray ES drawings on the Bray website, www.bray.com. Bray reserves the right to change product dimensions without notice.

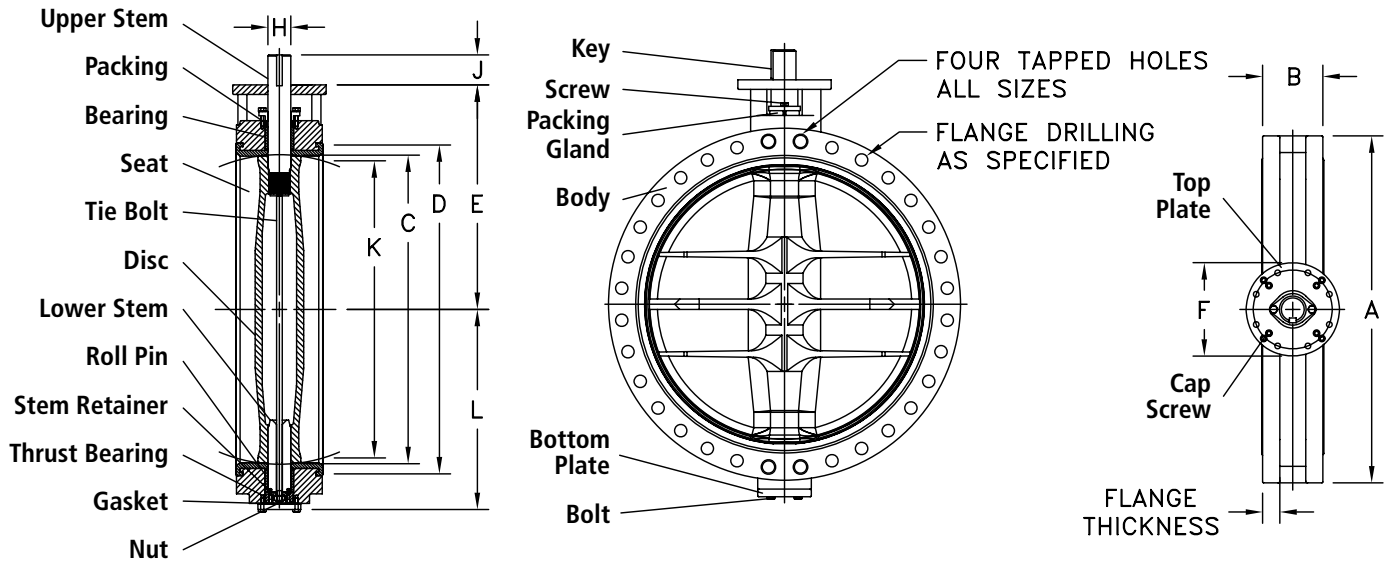
SR Drawing #35/36-22/96-m January - 2015

Inquire/P.O. No.: _____

Customer/Project: _____

Bray Order No.: _____

Series 35F Double Flange



IMPERIAL DIMENSIONS: Inches

| Valve Size | A | B | Flange Thk. | C | D | E | F | Top Plate Drilling | | | H | J | Key Size | K | L | Adapter Code | Weight (lbs) |
|------------|-------|-------|-------------|-------|-------|-------|-------|--------------------|-------------|---------------|------|------|------------|-------|-------|--------------|--------------|
| | | | | | | | | BC | No of Holes | Hole Diameter | | | | | | | |
| 32 | 41.75 | 7.48 | 2.00 | 30.39 | 33.70 | 26.37 | 11.81 | 10.00 | 8 | .71 | 2.50 | 4.00 | .62 x .62 | 29.57 | 21.88 | F25-1 | 972 |
| 36 | 46.00 | 7.88 | 2.00 | 33.50 | 38.25 | 27.75 | 13.78 | 11.73 | 8 | .81 | 2.50 | 4.00 | .62 x .62 | 34.50 | 23.60 | TBA | 1079 |
| 40 | 50.75 | 8.50 | 1.97 | 38.37 | 41.58 | 30.78 | 13.78 | 11.73 | 8 | .81 | 3.00 | 4.00 | .75 x .75 | 37.45 | 26.56 | F30-1 | 1945 |
| 42 | 53.00 | 9.88 | 2.62 | 41.25 | 44.25 | 32.00 | 13.78 | 11.73 | 8 | .81 | 3.00 | 4.00 | .75 x .75 | 40.20 | 27.81 | F30-1 | 2282 |
| 44 | 55.25 | 9.88 | 2.62 | 43.25 | 46.25 | 33.12 | 13.78 | 11.73 | 8 | .81 | 3.50 | 5.25 | .88 x .62 | 42.20 | 29.06 | F30-2 | 2520 |
| 48 | 59.50 | 10.88 | 2.75 | 47.25 | 50.62 | 36.00 | 16.34 | 14.02 | 8 | 1.30 | 3.50 | 5.25 | .88 x .62 | 46.13 | 31.06 | TBA | 2880 |
| 54 | 69.00 | 15.36 | 3.00 | 54.12 | 57.50 | 40.62 | 13.78 | 11.73 | 8 | .81 | 4.00 | 5.25 | 1.00 x .75 | 51.88 | 37.19 | F30-3 | 5290 |
| 60 | 73.00 | 15.00 | 3.12 | 58.39 | 63.07 | 44.31 | 16.34 | 14.02 | 8 | 1.56 | 5.00 | 6.00 | 1.25 x .88 | 56.62 | 39.56 | F30-4 | 5671 |

Note: K dimension is disc chordal dimension at valve face.

Metric DIMENSIONS: Millimeters

| Valve Size | A | B | Flange Thk. | C | D | E | F | Top Plate Drilling | | | H | J | Key Size | K | L | Adapter Code | Weight (kg) |
|------------|------|-----|-------------|------|------|------|-----|--------------------|-------------|---------------|-----|-----|----------|------|------|--------------|-------------|
| | | | | | | | | BC | No of Holes | Hole Diameter | | | | | | | |
| 800 | 1060 | 190 | 51 | 772 | 856 | 670 | 300 | 254 | 8 | 18 | 64 | 102 | 16 x 16 | 751 | 556 | F25-1 | 441 |
| 900 | 1168 | 200 | 51 | 851 | 972 | 705 | 350 | 298 | 8 | 21 | 64 | 102 | 16 x 16 | 876 | 599 | TBA | 489 |
| 1000 | 1289 | 216 | 50 | 975 | 1056 | 782 | 350 | 298 | 8 | 21 | 76 | 102 | 19 x 19 | 951 | 675 | F30-1 | 882 |
| 1050 | 1346 | 251 | 67 | 1048 | 1124 | 813 | 350 | 298 | 8 | 21 | 76 | 102 | 19 x 19 | 1021 | 706 | F30-1 | 1035 |
| 1100 | 1403 | 251 | 67 | 1099 | 1175 | 841 | 350 | 298 | 8 | 21 | 89 | 133 | 22 x 16 | 1072 | 738 | F30-2 | 1143 |
| 1200 | 1511 | 276 | 70 | 1200 | 1286 | 914 | 415 | 356 | 8 | 33 | 89 | 133 | 22 x 16 | 1172 | 789 | TBA | 1306 |
| 1400 | 1753 | 390 | 76 | 1375 | 1461 | 1032 | 350 | 298 | 8 | 21 | 102 | 133 | 25 x 19 | 1318 | 945 | F30-3 | 2400 |
| 1500 | 1854 | 381 | 79 | 1483 | 1602 | 1125 | 415 | 356 | 8 | 40 | 127 | 152 | 32 x 22 | 1438 | 1005 | F30-4 | 2572 |

Note: K dimension is disc chordal dimension at valve face.

Drawings are for reference only. Please refer to Bray ES drawings on the Bray website, www.bray.com. Bray reserves the right to change product dimensions without notice.

SR Drawing #35F-32/60-im January - 2015

Inquire/P.O. No.: _____

Customer/Project: _____

Bray Order No.: _____