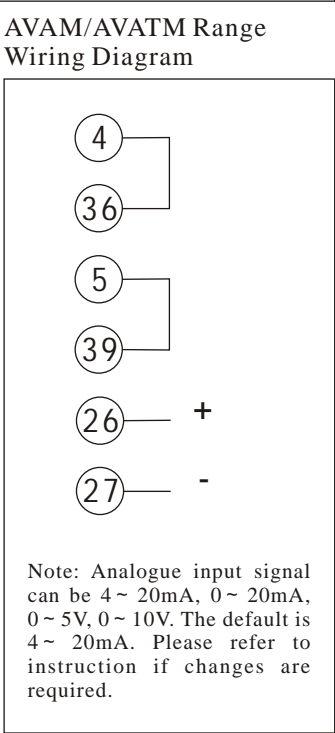
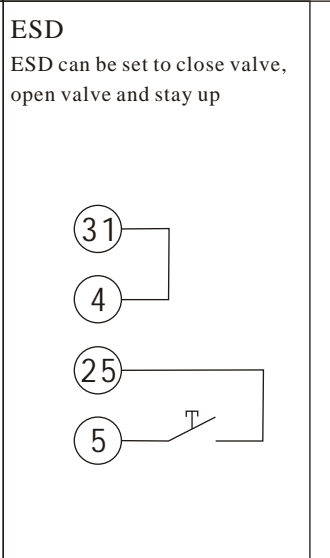
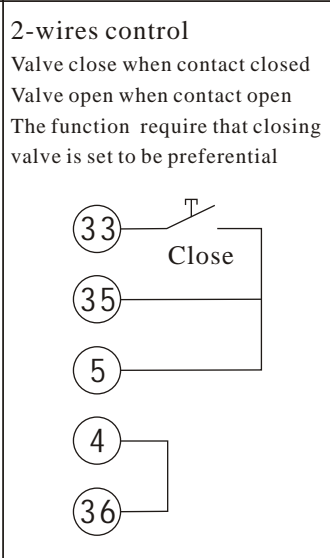
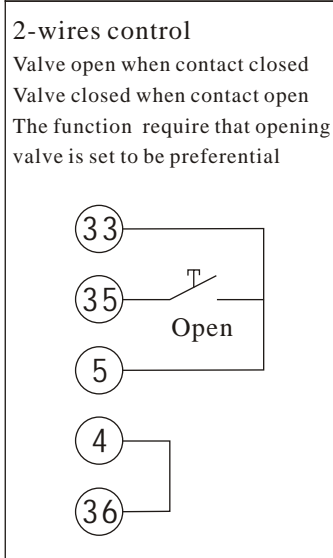
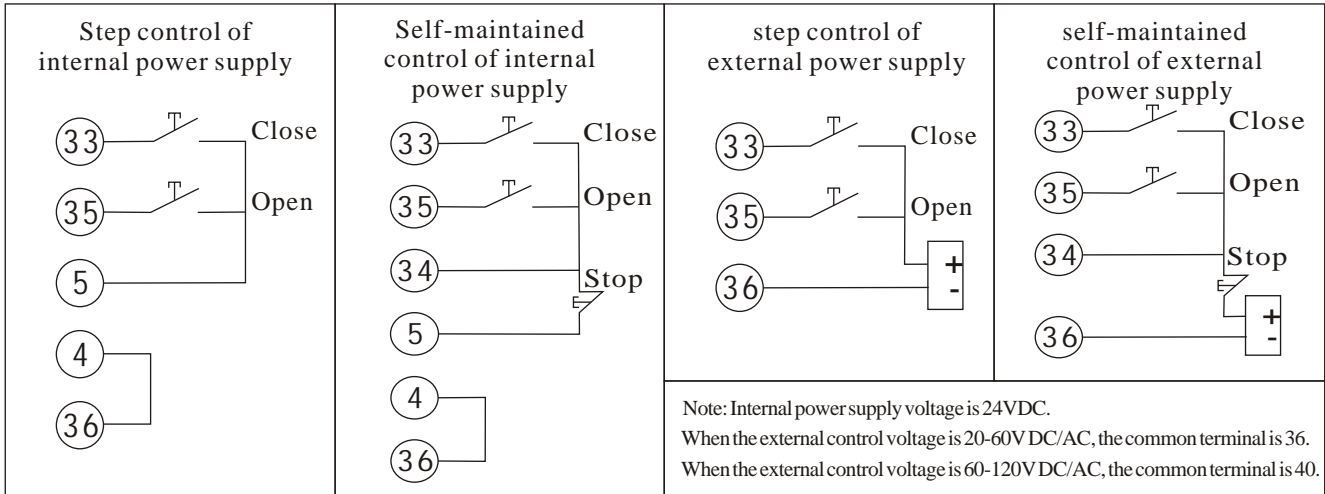


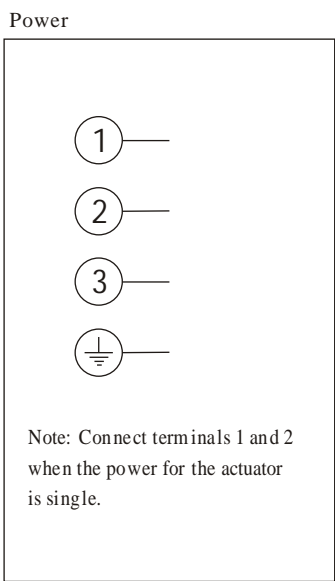
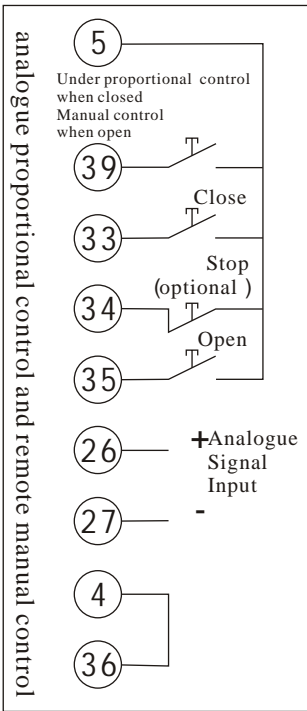
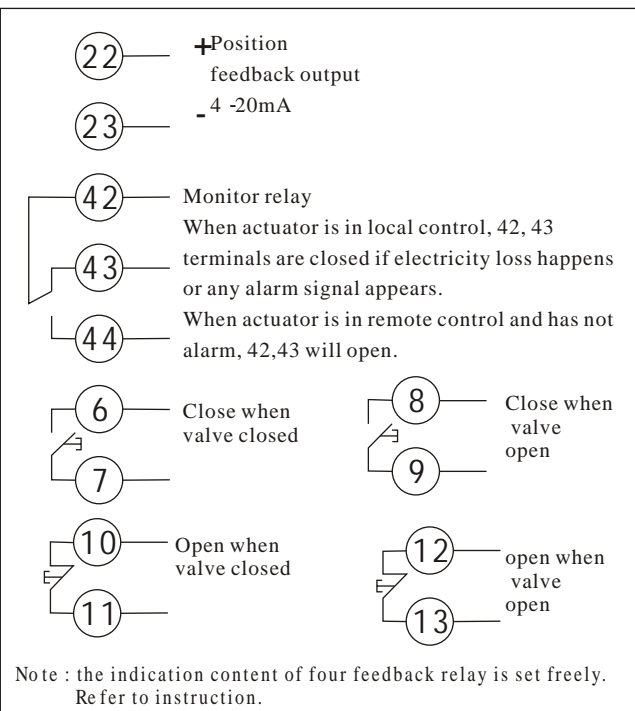
Warning: Please refer to the rated voltage stamped on the actuator nameplate before connecting power. Connect terminals 1, 2, and 3 when the power is three phases. Connect terminals 1 and 2 when the power is single phase.

① Power Line 1#	②⑤ ESD
② Power Line 2#	②⑥ Analogue Input Signal +Ve
③ Power Line 3#	②⑦ Analogue Input Signal -Ve
④ 24vdc -Ve	②⑧
⑤ 24vdc +Ve	②⑨
⑥ Monitor Relay S1-1	②⑩
⑦ Monitor Relay S1-2	②⑪ Common-Ve 20 ~ 60v Ac/Dc
⑧ Monitor Relay S2-1	②⑫ Common-Ve 60 ~ 120v Ac
⑨ Monitor Relay S2-2	②⑬ Remote Closing Signal Input End
⑩ Monitor Relay S3-1	②⑭ Remote Stopping/ Maintaining Signal Input End
⑪ Monitor Relay S3-2	②⑮ Remote Opening Signal Input End
⑫ Monitor Relay S4-1	②⑯ Common- Ve 20 ~ 60v Ac/Dc
⑬ Monitor Relay S4-2	②⑰ Open Interlock
⑭	②⑱ Close Interlock
⑮	②⑲ Manual/ Automatic
⑯	②⑳ Common+Ve 60 ~ 120v Ac
⑰	②㉑
⑱	②㉒ Common Monitor Relay
⑲	②㉓ Common Monitor Relay Normally Closed
⑳	②㉔ Common Monitor Relay Normally Open
㉑	②㉕
㉒ Remote Position Feedback +	②㉖
㉓ Remote Position Feedback-	②㉗
㉔	②㉘ E Grounding

# AVA/AVAT Range Wiring Diagram



## Feedback



Note: for more information, please contact Tefulong.